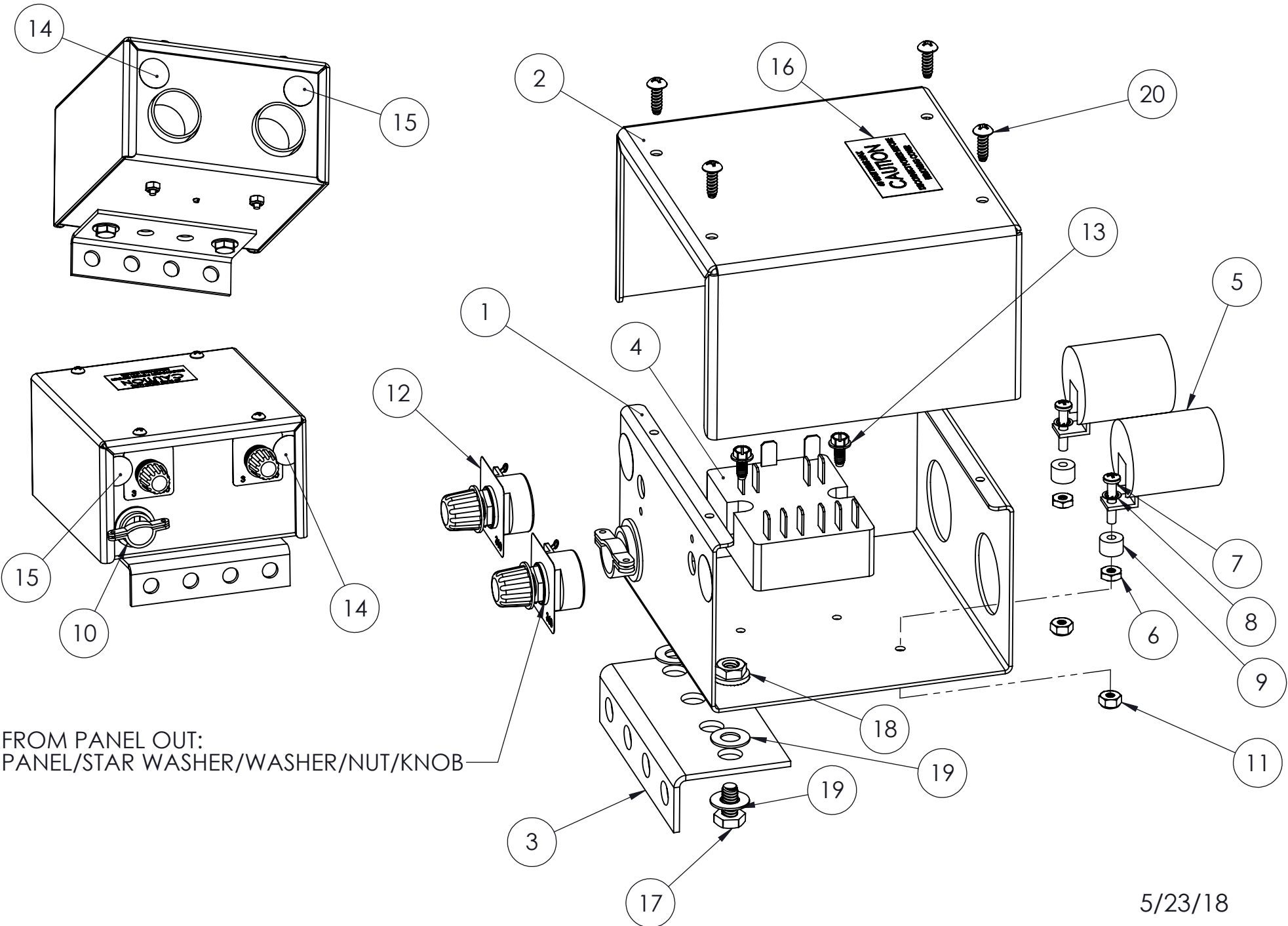


MRAT TIMER BOX ASSEMBLY



MRAT Timer Box Assembly

- 1 Timer Box Base
- 2 Timer Box Cover
- 3 Timer Box Mount Flange
- 4 Timer Relay
- 5 Light Socket
- 6 Hex Nut #6-32
- 7 Machine Screw #6-32 x 3/4
- 8 Washer #6 Star
- 9 Nylon Spacer 0.140 x 3/8 x 1/4 long
- 10 Conduit connector - 3/8 straight
- 11 Lock Nut #6-32
- 12 Potentiometer
- 13 Ground Screw #8-32 x 3/8
- 14 Red Light Sticker
- 15 Green Light Sticker
- 16 Caution 60 watt bulb Sticker
- 17 Hex Bolt 1/4 x 1/2
- 18 Whiz Nut 1/4
- 19 Washer SAE 1/4
- 20 Pan Head Screw #8 x 1/2