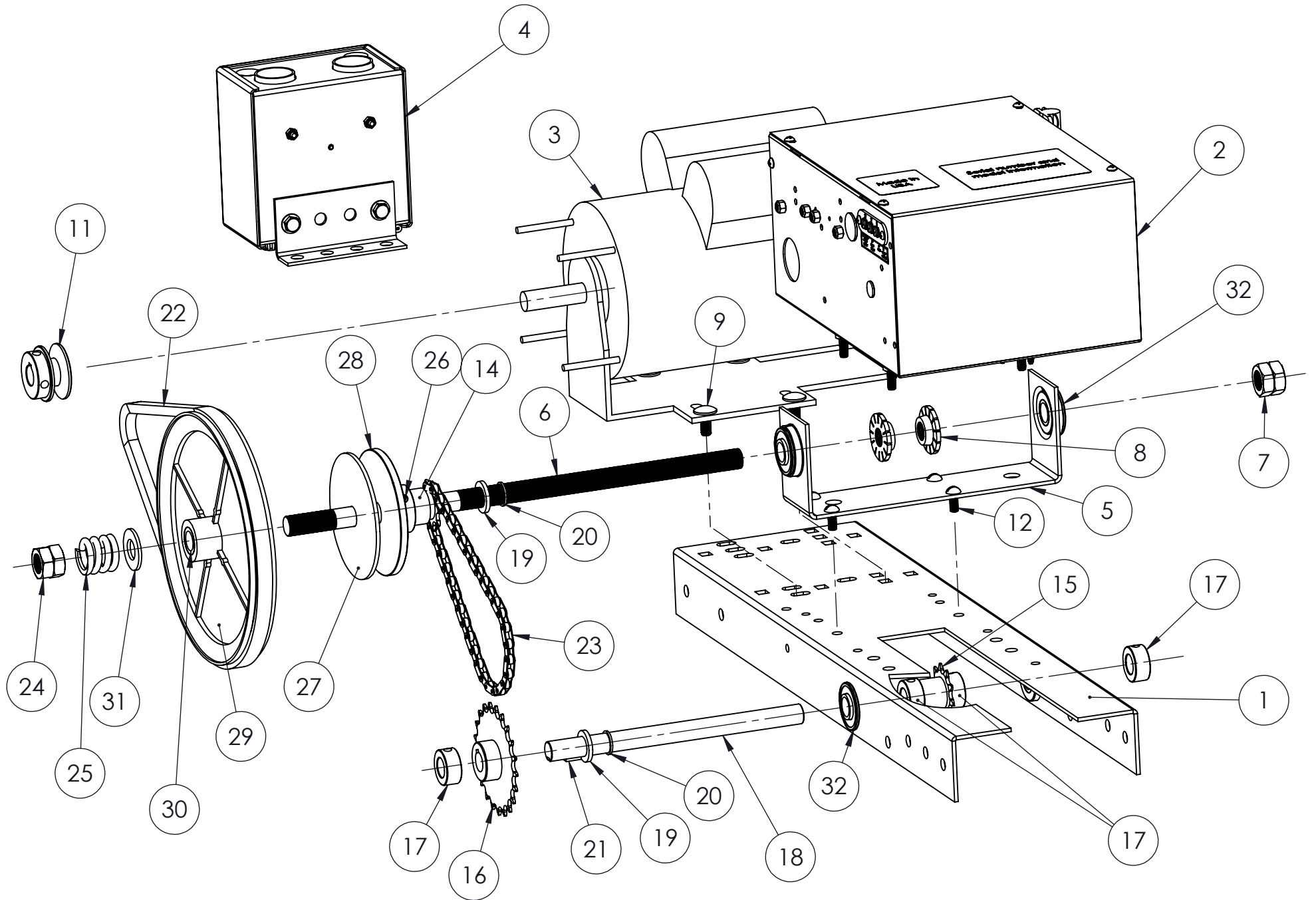


MRAT



MRAT

- 1 Operator Rail
- 2 Electrical Box Assembly
- 3 Motor
- 4 Timer Box Assembly
- 5 Operator Rail Extended Bearing Mount
- 6 Clutch-Limit Shaft
- 7 Jam Nut 5/8-24
- 8 Travel Nut 5/8-24
- 9 Carriage Bolt 5/16 x 3/4
- 10 Whiz Nut 5/16
- 11 Motor Pulley 4L, 1-3/4 x 5/8 Bore
- 12 Track Bolt 1/4-20
- 13 Whiz Nut 1/4
- 14 Sprocket 65B9 x 5/8
- 15 Sprocket 65B10 x 5/8
- 16 Sprocket 65B21 x 5/8
- 17 Shaft Collar 5/8
- 18 Trolley Drive Shaft
- 19 Washer 1 x 5/8 x 1/8
- 20 Washer 3/4 x 5/8 x 1/16
- 21 Key 3/16 x 1/2
- 22 4L300 V-Belt
- 23 65 Series Roller Chain - 38 pitch
- 24 Jam Nut 5/8-18
- 25 Clutch Spring
- 26 Roll pin 1/4 x 1-1/2
- 27 Clutch Disc 5/8 Bore
- 28 Clutch Hub 5/8 Bore
- 29 Drive Pulley 4L, 8 x 7/8 Bore
- 30 Drive Pulley Bushing
- 31 Washer SAE 5/8
- 32 Bearing 5/8