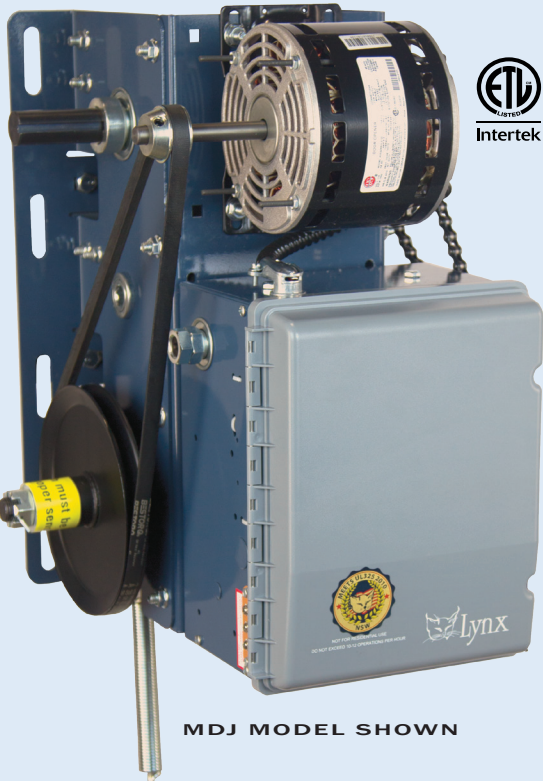


# MEDIUM DUTY JACKSHAFT



MDJ MODEL SHOWN




## MDJ

Medium Duty Jackshaft Operators are engineered for high lift & vertical lift sectional doors, rolling doors, and rolling grilles.

## FEATURES

- 1/2HP-115V-1PH Motor
- 3 Button station (NEMA 1)
- 1500 RPM, high starting torque motor with overload protection
- Inherent Mechanical Brake (I.M.B)
- LX 900 BOARD Standard Features (See Accessories cut sheet for more details)
  - B2 Mode, C2 Mode, TTC Mode
- On board, Open, Close, & Stop for ease of setting limits
- Photo-eyes included
- Pre-wired to accept sensing devices
- 24 Volt accessory power
- On board (372 MHz) receiver capable of programming up to 20 transmitters
- External receiver connection
- NEMA 1 Electrical enclosure
- Adjustable friction clutch
- Maximum output shaft revolutions - 21
- Primary Drive: Heavy Duty 4L V-Belt
- Secondary: #41 CHAIN / SPROCKETS
- Output: #41 CHAIN / SPROCKETS
- 27 RPM output shaft speed
- Door speed determined by the door system installed
- Standard sprockets:
  - Sectional: 41B14 x 1" bore to 41B18 x 1" bore
  - Steel Rolling: 41B14 x 1" bore to 41B24 x 1 1/4" bore
- Warranty
  - 2 years on parts and motor

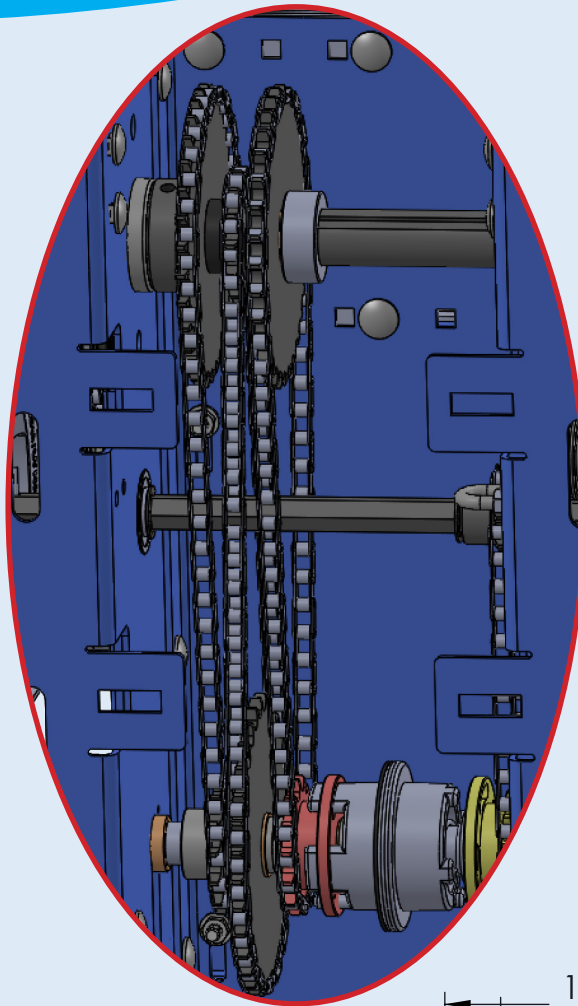
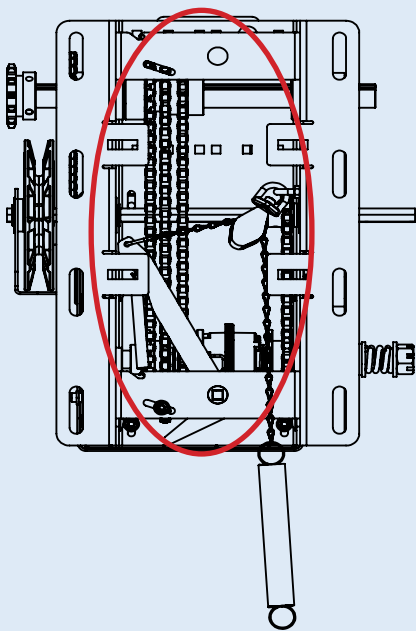
## MDJ Series Options

	STANDARD	OPTIONAL	
	INHERENT MECHANICAL  BRAKE	HOIST 	SOLENOID  BRAKE
MDJ	X		
MDJH	X	X	
MDJB	X		X
MDJBH	X	X	X



## Inherent Mechanical Brake

Our **I.M.B.** is highly effective through the use of multiple gears, chains, and bushings which provide improved motion control and stability.



Intertek

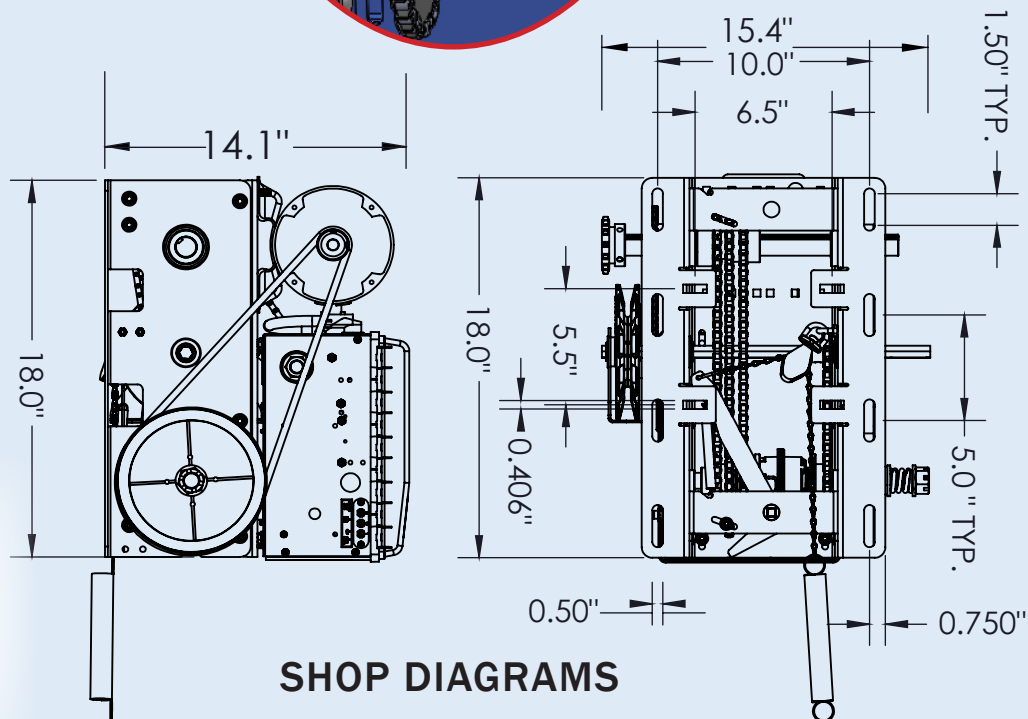


PROUDLY BUILT IN NORTH AMERICA

## READY TO ORDER?

Please have the following information available:

- Distance from floor to shaft
- Door shaft size
- Rolling or sectional door
- Number of transmitters needed
- Optional chain hoist and/or solenoid brake



## SHOP DIAGRAMS

**800-233-3599**  
**ARIZONA**

101 N. 57th Ave.  
Phoenix, AZ  
85043

**800-234-5969**  
**NEW JERSEY**

613 Industrial Rd.  
Carlstadt, NJ  
07072

**800-338-5399**  
**OHIO**

111 Weires Dr.  
Archbold, OH  
43502

**888-589-5969**  
**QUEBEC**

175 Upper Eddison Ave.  
St. Lambert, QC  
J4R 2R3

**888-839-5969**  
**ONTARIO**

6311 Vipond Dr.  
Mississauga, ON  
L5T 1T7