

FRAME ASSEMBLY
DRAWING #700023

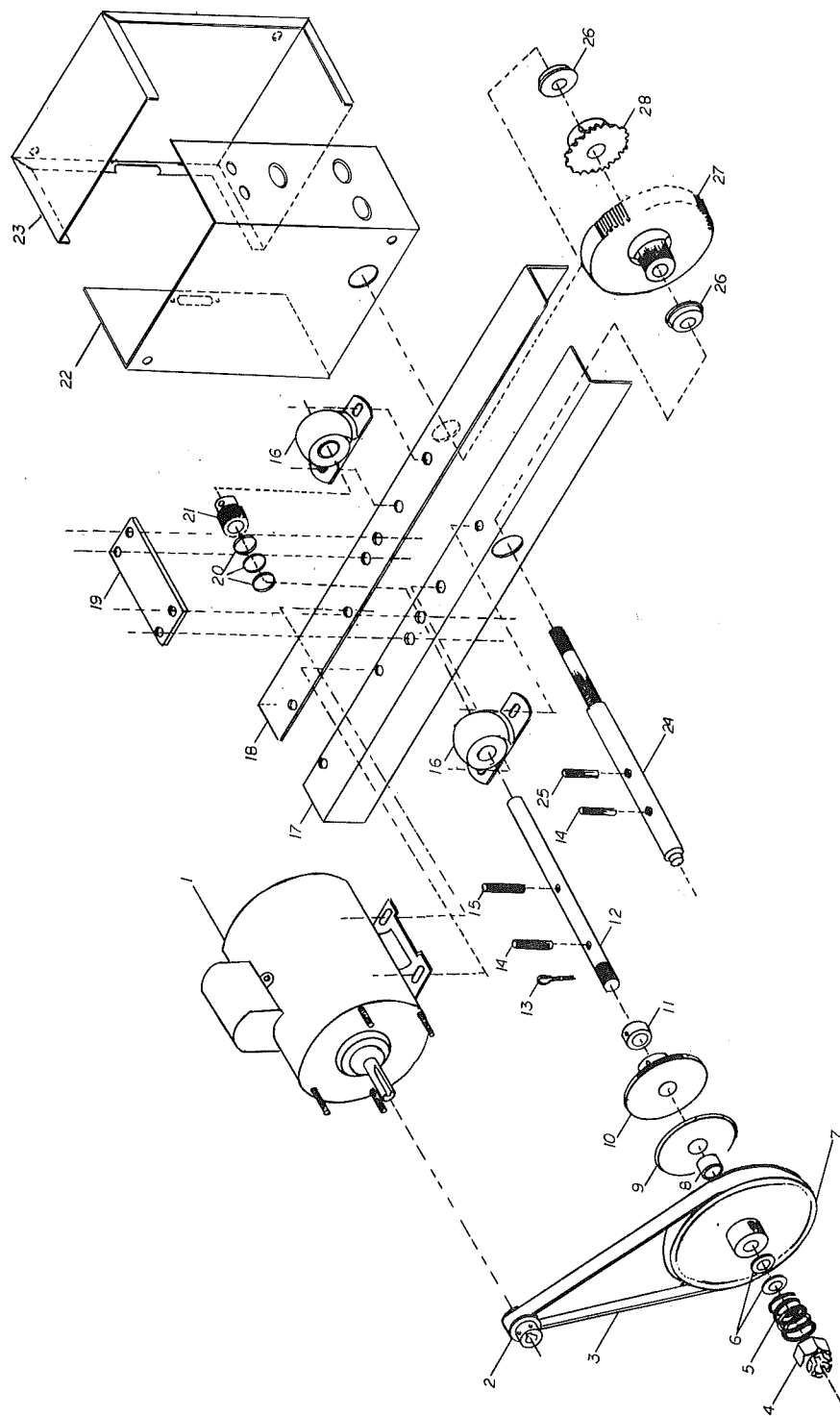
FOR

AMC3

AMCB

AMC3H

AMCBH



NOTE: FOR BRAKE ASSEMBLY EXPLODED VIEW
REFER TO DRAWING No. 700018

NAPOLEON LYNX CO. PAT. N.J.	
DATE: 8-15	DESIGNED BY: M. B. G. D. D. P.
MODEL: AMC3 AMC3H EXPLODED VIEW	
PART: POWER HEAD 700023	

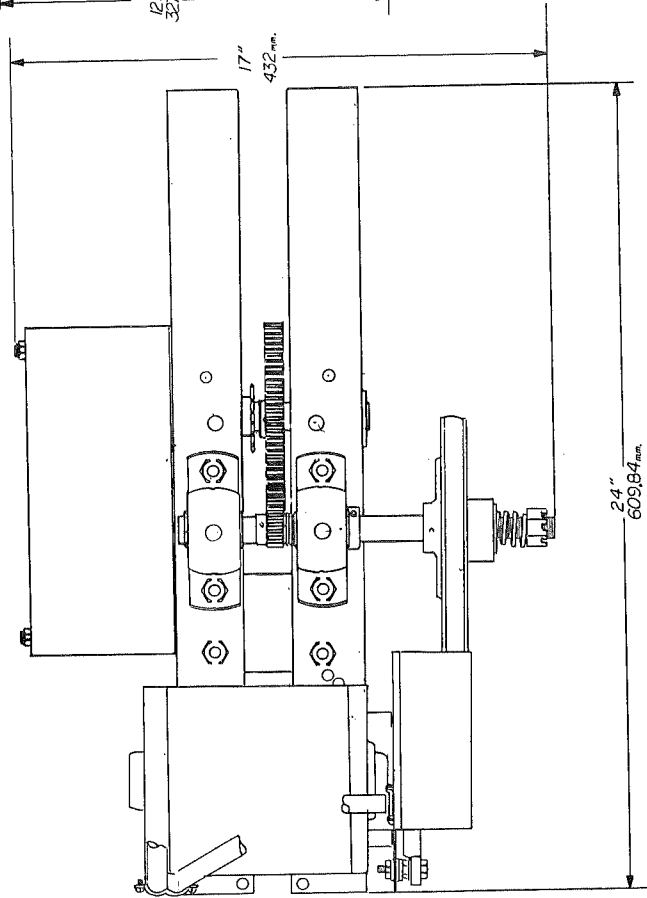
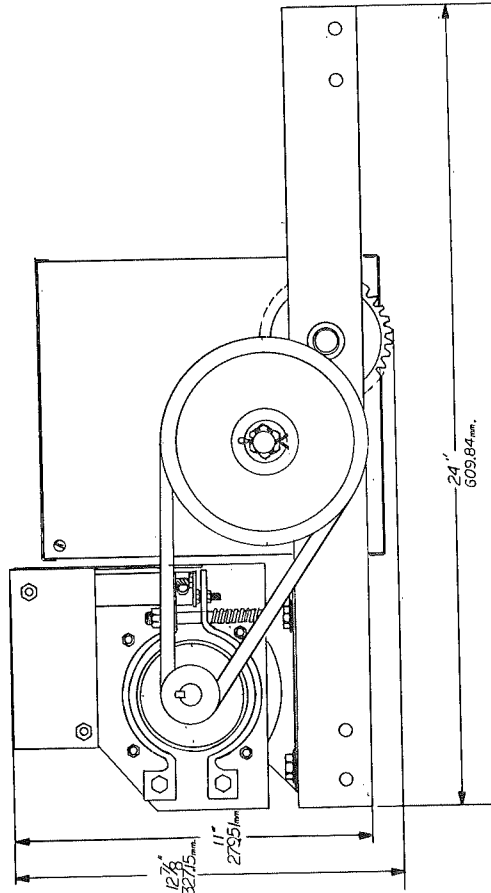
NAPOLEON / LYNX

PARTS LIST DRAWING #700023 FRAME ASSEMBLY

MODEL AMC3 - AMC3H - AMCB - AMCBH

4/1/99

REF #	DESCRIPTION	POWER HEAD ASSEMBLY	QTY.	LIST PRICE
1A	MTR #C48C22A72	1/2 HP 115/220V 1 PH CAP-START	1	
1B	MTR #327P676	1/2 HP 220/440V 3PH	1	
1C	MTR #327P673	3/4 HP 115/220V 1PH CAP-START	1	
1D	MTR #327P678	3/4 HP 208/220/440V 3PH	1	
2	MOTOR PULLEY, 4L	2" O.D. X 5/8" BORE 3/16" KW 2 S.S.	1	
2A	MOTOR PULLEY, 5L	2" O.D. X 5/8" BORE 3/16" KW 2 S.S.	1	
3	V BELT, 4L340		1	
3A	V BELT, 5L340		1	
4	SLOTTED HEX NUT, 3/4"-16	(CASTELLATED)	1	
5	CLUTCH SPRING	C-192	1	
6	FLAT WASHER	3/4" SAE	2	
7	DRIVE PULLEY, 4L	8" O.D. X 7/8" BORE	1	
7A	DRIVE PULLEY, 5L	8" O.D. X 7/8" BORE (AMC3H/AMCBH)	1	
8	BEARING, BRONZE SLEEVE	7/8"OD X 3/4"ID X 7/8"LG	1	
8A	BEARING, BRONZE SLEEVE	7/8"OD X 3/4"ID X 1"LG	1	
9	CLUTCH FIBER DISC	4"OD X 3/4"ID X .125 THK.	1	
10	CLUTCH HUB	4"OD X 3/4"ID (STEEL)	1	
11	SHAFT COLLAR, STEEL	3/4" I.D.	1	
12	CLUTCH SHAFT,	3/4"OD X 11 3/4"LG	1	
13	COTTER PIN	1/8" X 1 1/2"LG	1	
14	ROLL PIN	1/4" X 1 1/2"LG	2	
15	ROLL PIN	1/4" X 1"LG	1	
16	PILLOW BLOCK BEARING	3/4" BORE	2	
NEW	UNIFRAME, ONE PIECE ASSEMBLY,(CONSISTS OF FOLLOWING OLD		1	
[17]	FRAME ANGLE	2" X 2" X 24"LG (RIGHT SIDE)	1	
[18]	FRAME ANGLE	2" X 2" X 24"LG (LEFT SIDE)	1	
[19]	TIE BAR PLATE,	2 3/8" X 5 1/2"LG	1	
20	WASHER SPACER,	1"OD X 3/4"ID 16GA	3	
21	SPUR GEAR, 15T-12P	3/4" BORE	1	
22	ELECTRICAL BOX		1	
23	COVER, ELECTRICAL BOX		1	
24	LIMIT DRIVE SHAFT,	3/4" O.D. X 10 3/4" LG.	1	
		4" THREADED 5/8-24		
25	ROLL PIN	1/4" X 1 1/4"LG	1	
25A	ROLL PIN	1/4" X 1 3/4"LG	1	
26	BEARING, BALL FLANGED	1 3/8" O.D. X 5/8" I.D.	4	
27	SPUR GEAR, 60T-12P	3/4" BORE	1	
28	SPROCKET, DRIVE	48B15 X 3/4" BORE	1	
28A	SPROCKET, DRIVE	41B14 X 3/4" BORE	1	



NAPOLEON LYNX CO PAT.N.J.

DESIGNED BY W. S. DODD
 DRAWN BY J. M. C. MCB-AMCBH
 MODELS BY J. M. C. MCB-AMCBH
 SHOP DRAWING
 700097