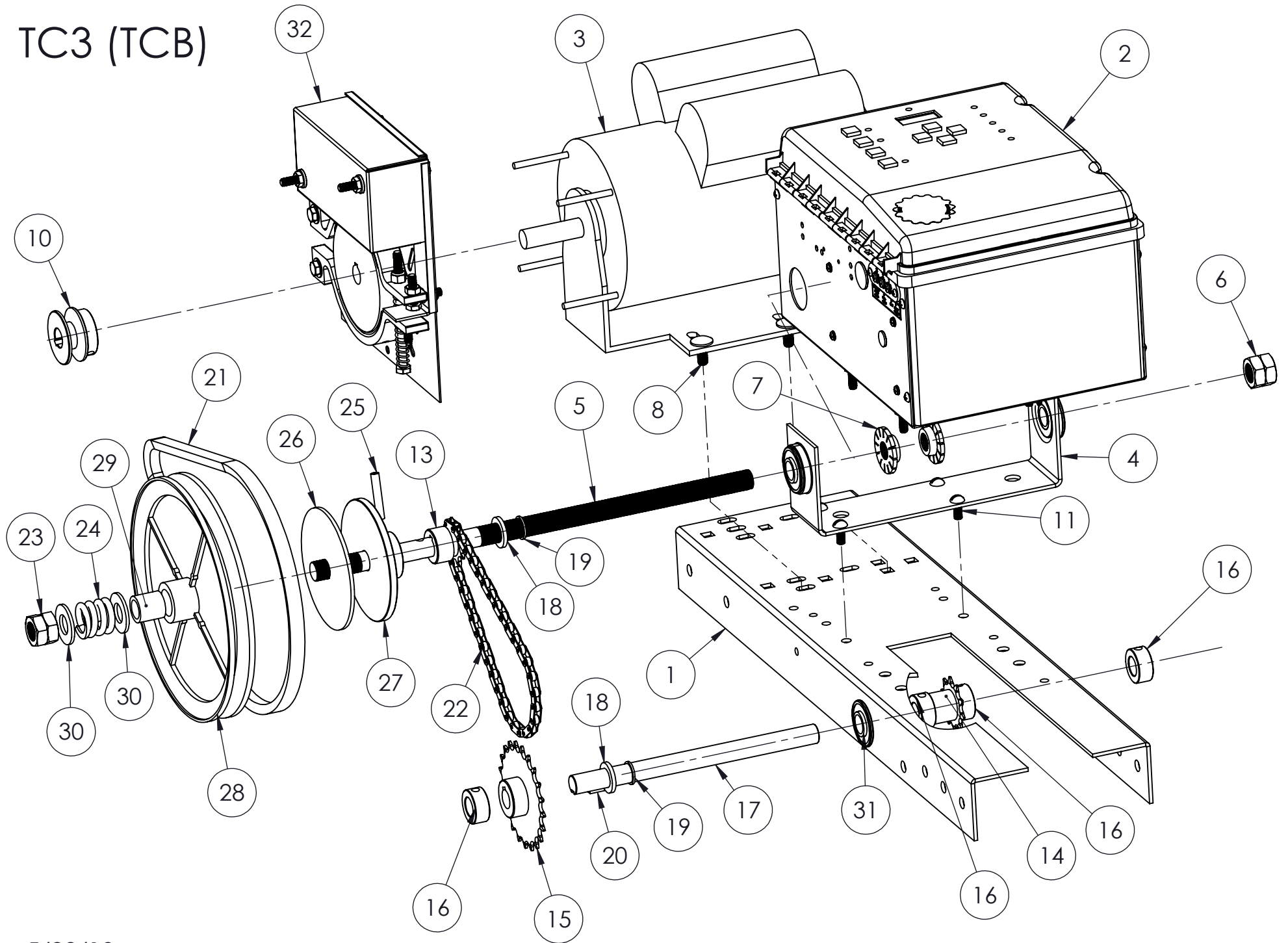


# TC3 (TCB)



### TC3

- 1 Operator Rail
- 2 Electrical Box Assembly
- 3 Motor
- 4 Operator Rail Ext. Bearing Mount with bearings
- 5 Clutch-Limit Shaft
- 6 Jam Nut 5/8-24
- 7 Travel Nut 5/8-24
- 8 Carriage Bolt 5/16 x 3/4
- 9 Whiz Nut 5/16
- 10 Motor Pulley 4L, 1-3/4 x 5/8 Bore
- 11 Track Bolt 1/4-20
- 12 Whiz Nut 1/4
- 13 Sprocket 65B9 x 5/8
- 14 Sprocket 65B10 x 5/8
- 15 Sprocket 65B21 x 5/8
- 16 Shaft Collar 5/8
- 17 Trolley Drive Shaft
- 18 Washer 1 x 5/8 x 1/8
- 19 Washer 3/4 x 5/8 x 1/16
- 20 Key 3/16 x 1/2
- 21 4L300 V-Belt
- 22 65 Series Roller Chain - 38 pitch
- 23 Jam Nut 5/8-18
- 24 Clutch Spring
- 25 Roll pin 1/4 x 1-1/2
- 26 Clutch Disc 5/8 Bore
- 27 Clutch Hub 5/8 Bore
- 28 Drive Pulley 4L, 8 x 7/8 Bore
- 29 Drive Pulley Bushing 7/8 x 5/8
- 30 Washer SAE 5/8
- 31 Bearing 5/8
- 32 Brake Assembly (Optional)