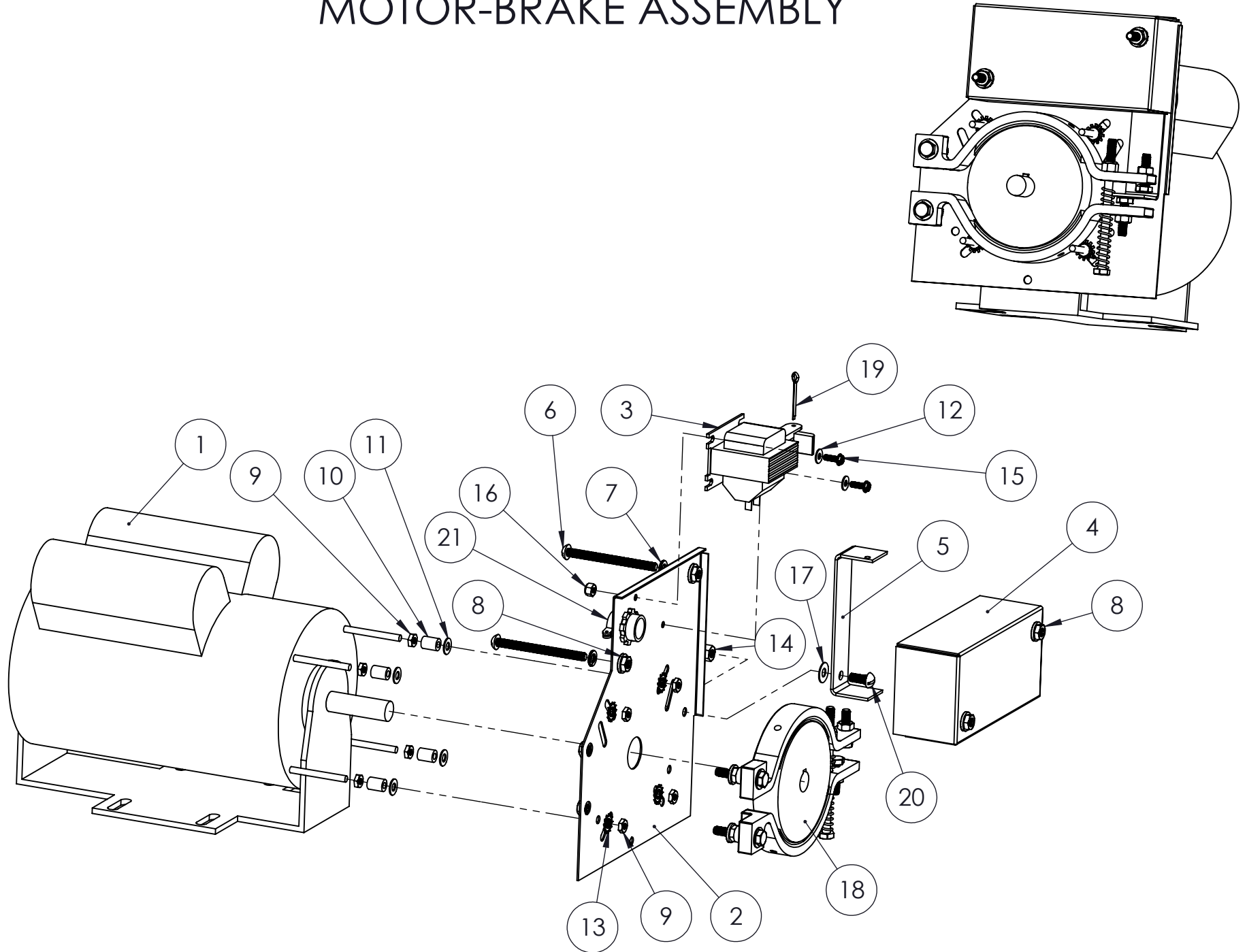


MOTOR-BRAKE ASSEMBLY



Motor-Brake Assembly

- 1 Motor
- 2 Brake Mounting Plate
- 3 Brake Solenoid
- 4 Brake Solenoid Cover
- 5 Brake Release Lever
- 6 Machine Screw 1/4-20 x 3
- 7 Lock Washer 1/4
- 8 Whiz Nut 1/4
- 9 Hex Nut #10-32
- 10 Nylon Spacer 0.194 x 3/8 x 1/2 long
- 11 Washer SAE 3/16
- 12 Washer SAE #8
- 13 Lock washer Tooth #10
- 14 Lock Nut 1/4-20
- 15 Tapping Screw #8-32 x 1/2
- 16 Lock Nut #8-32
- 17 Fiber Washer
- 18 Brake Assembly
- 19 Cotter Pin 1/8 x 1-1/4
- 20 Track Bolt 1/4-20
- 21 Conduit connector - 3/8 straight