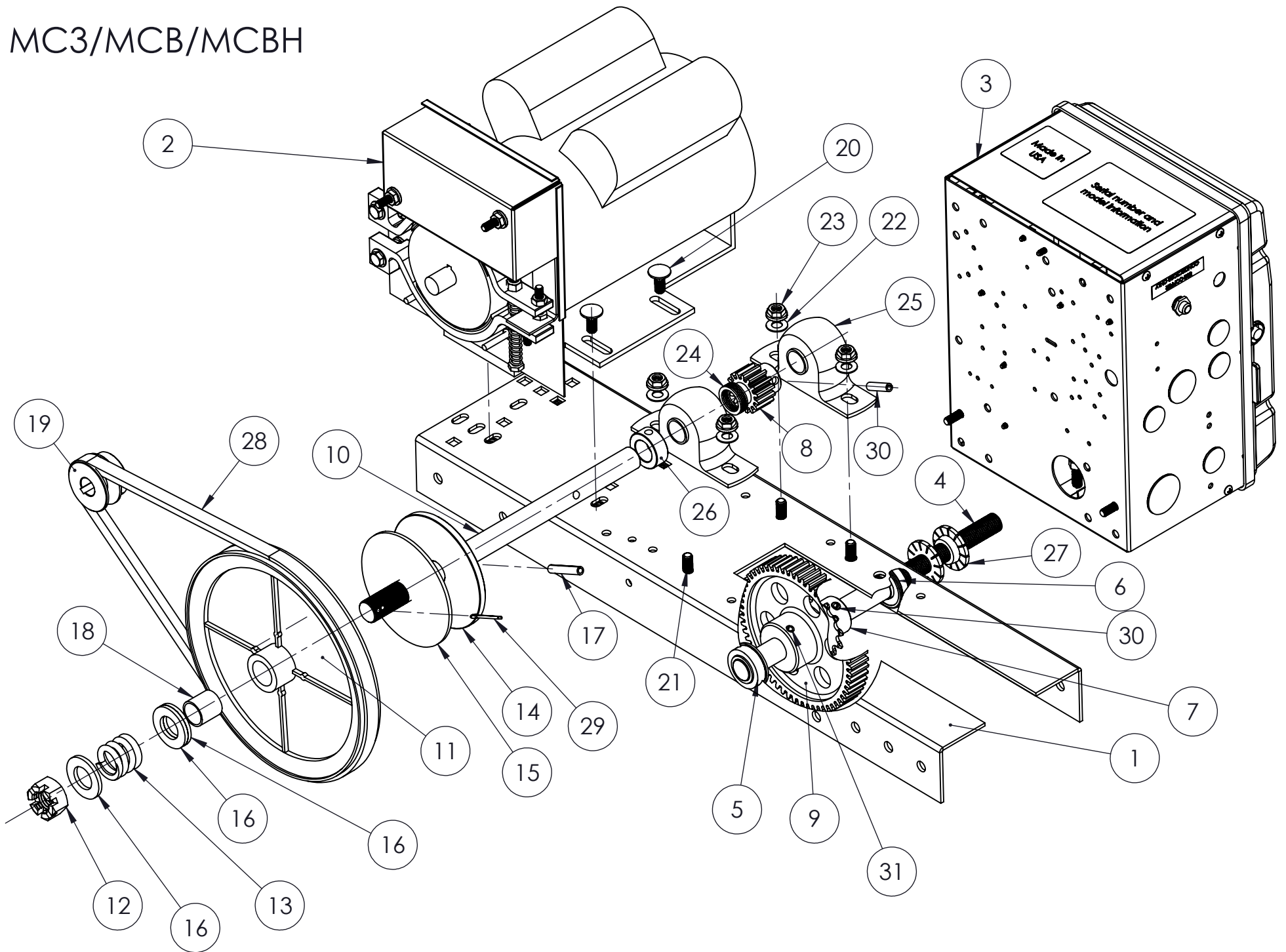


# MC3/MCB/MCBH



## MC3 MCBH

- 1 1 Operator Rail
- 2 2 Brake Assembly (Optional)
- 3 3 Electrical Box Assembly
- 4 4 MCB Limit Shaft
- 5 5 Bearing 3/4
- 6 6 Bearing 5/8
- 7 Sprocket 65B12 x 3/4
- 7 Sprocket 41B12 x 3/4
- 8 8 Spur Gear 15T12P
- 9 9 Spur Gear 60T12P
- 10 10 MCB Clutch Shaft
- 11 Drive Pulley 4L, 8 x 7/8 Bore
- 11 Drive Pulley 5L, 8 x 7/8 Bore
- 12 12 Castle Nut 3/4
- 13 13 Clutch Spring
- 14 14 Clutch Hub 3/4 Bore
- 15 15 Clutch Disc 3/4 Bore
- 16 16 Washer SAE 3/4
- 17 17 Roll pin 1/4 x 1-1/2
- 18 18 Drive Pulley Bushing 7/8 x 3/4
- 19 Motor Pulley 4L, 1-3/4 x 5/8 Bore
- 19 Motor Pulley 5L, 1-3/4 x 5/8 Bore
- 20 20 Carriage Bolt 5/16 x 3/4
- 21 21 Hex Bolt 5/16 x 3/4
- 22 22 Washer SAE 5/16
- 23 23 Whiz Nut 5/16
- 24 24 Washer Nylon 1 x 3/4 x 1/16
- 25 25 Pillow Block Bearing 3/4
- 26 26 Shaft Collar 3/4
- 27 27 Travel Nut 5/8-24
- 28 4L340 V-Belt
- 28 5L340 V-Belt
- 29 29 Cotter Pin 1/8 x 1-1/4
- 30 30 Roll pin 1/4 x 1
- 31 31 Roll pin 1/4 x 1-3/4