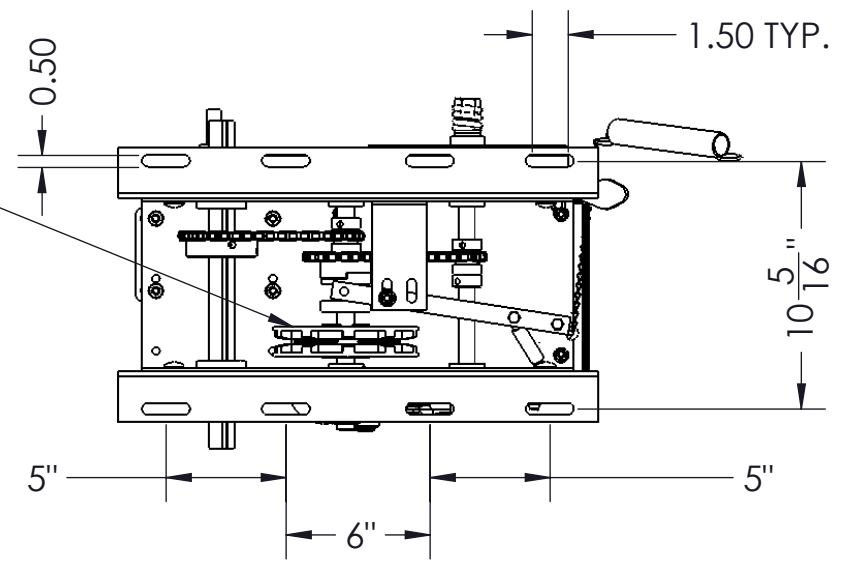


Hand Chain Wheel present with Model LDJH & LDJBH only



UNLESS OTHERWISE SPECIFIED:
 DIMENSIONS ARE IN INCHES
 TOLERANCES:
 HOLE/SLOT SIZES: ±0.010
 OTHER DIMENSIONS: ±1/16
 ANGLES: ±3°



TITLE:		
TITLE		
SIZE	DWG. NO.	REV
A	LDJ Operator	00
SCALE: 1:8	WEIGHT:	SHEET 1 OF 1

PROPRIETARY AND CONFIDENTIAL
 THE INFORMATION CONTAINED IN THIS DRAWING IS THE SOLE PROPERTY OF NAPOLEON/LYNX. ANY REPRODUCTION IN PART OR AS A WHOLE WITHOUT THE WRITTEN PERMISSION OF NAPOLEON/LYNX IS PROHIBITED.

	NAME	DATE
DRAWN BY	DLG	04/02/14
MATERIAL		
FINISH		