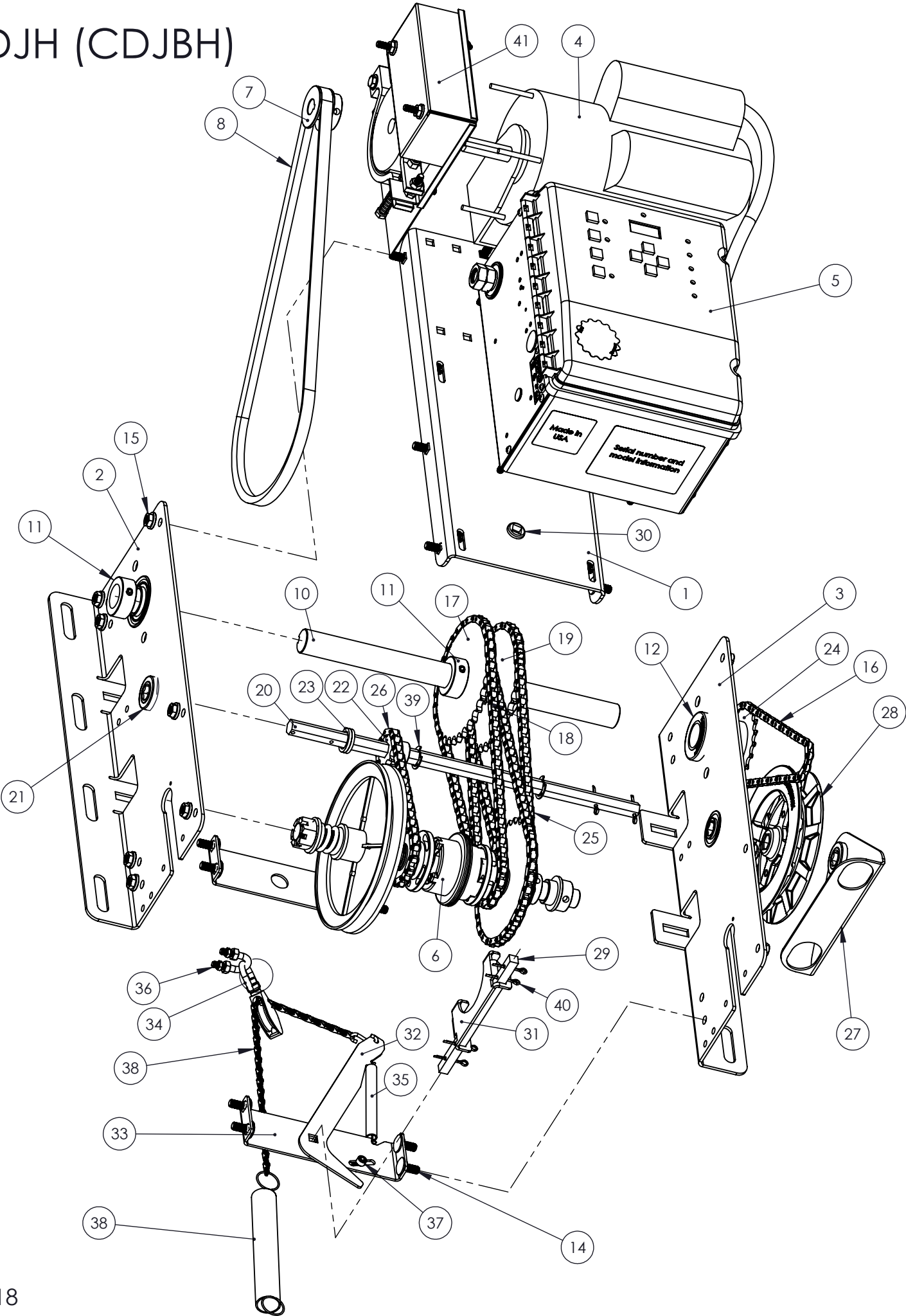
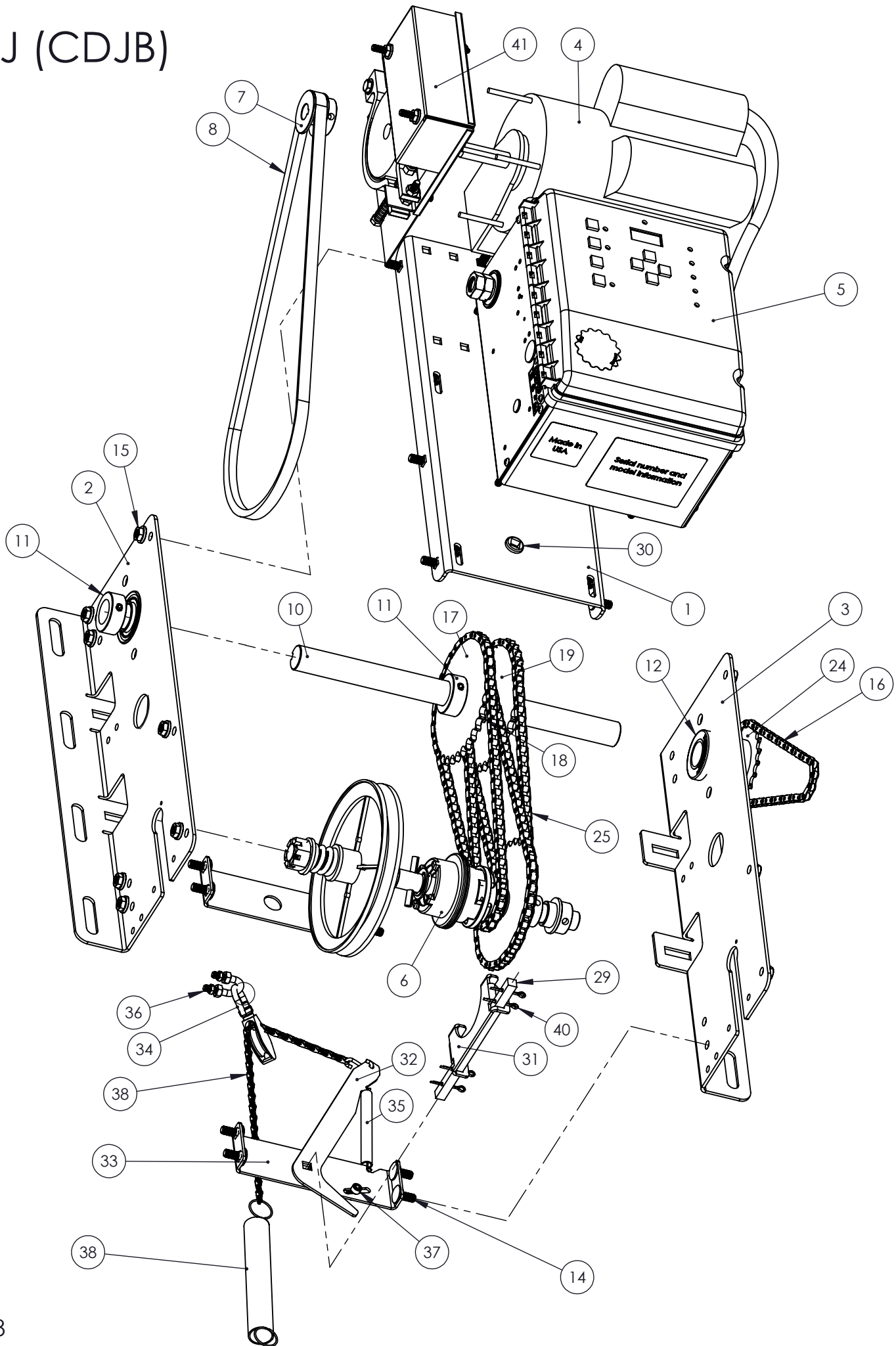


CDJH (CDJBH)



CDJ (CDJB)



CDJ

- 1 CDJ-MDJ Chassis Top
- 2 CDJ-MDJ Chassis Side L.H.
- 3 CDJ-MDJ Chassis Side R.H.
- 4 Motor
- 5 Electrical Box Assembly
- 6 CDJ-MDJ Clutch Shaft Assembly
- 7 Motor Pulley 4L, 1-3/4 x 5/8 Bore
- 8 4L400 V-Belt
- 9 Key 1/4 x 1
- 10 Drive Shaft
- 11 Shaft Collar 1"
- 12 Bearing 1" x 2" O.D.
- 13 Whiz Nut 1/4
- 14 Carriage Bolt 5/16 x 3/4
- 15 Whiz Nut 5/16
- 16 65 Series Roller Chain - 46 pitch
- 17 Cluster Sprocket for 1" Shaft (includes Bushing)
- 18 Black Spacer
- 19 Sprocket 41B32 x 1
- 20 CDJ-MDJ Hoist Shaft
- 21 Hex Bearing
- 22 Sprocket 41B9 x hex bore
- 23 Washer 1 x 3/4 x 1/8
- 24 Sprocket 65B21 x 1
- 25 41 Series Roller Chain - 68 pitch
- 26 41 Series Roller Chain - 36 pitch
- 27 CDJ-MDJ Chain Guide
- 28 Pocket Wheel
- 29 CDJ-MDJ Square Bar
- 30 Square Bar Bushing
- 31 CDJ-MDJ Fork
- 32 CDJ-MDJ Release Arm
- 33 CDJ-MDJ Center Support
- 34 Sash chain pulley
- 35 Extension Spring
- 36 U-Bolt
- 37 Stop Bolt 1/4-20
- 38 Release Chain assy Spring/Chain/Hook
- 39 E-clip for 5/8 shaft
- 40 Cotter Pin 1/8 x 1-1/4
- 41 Brake Assembly (Optional)