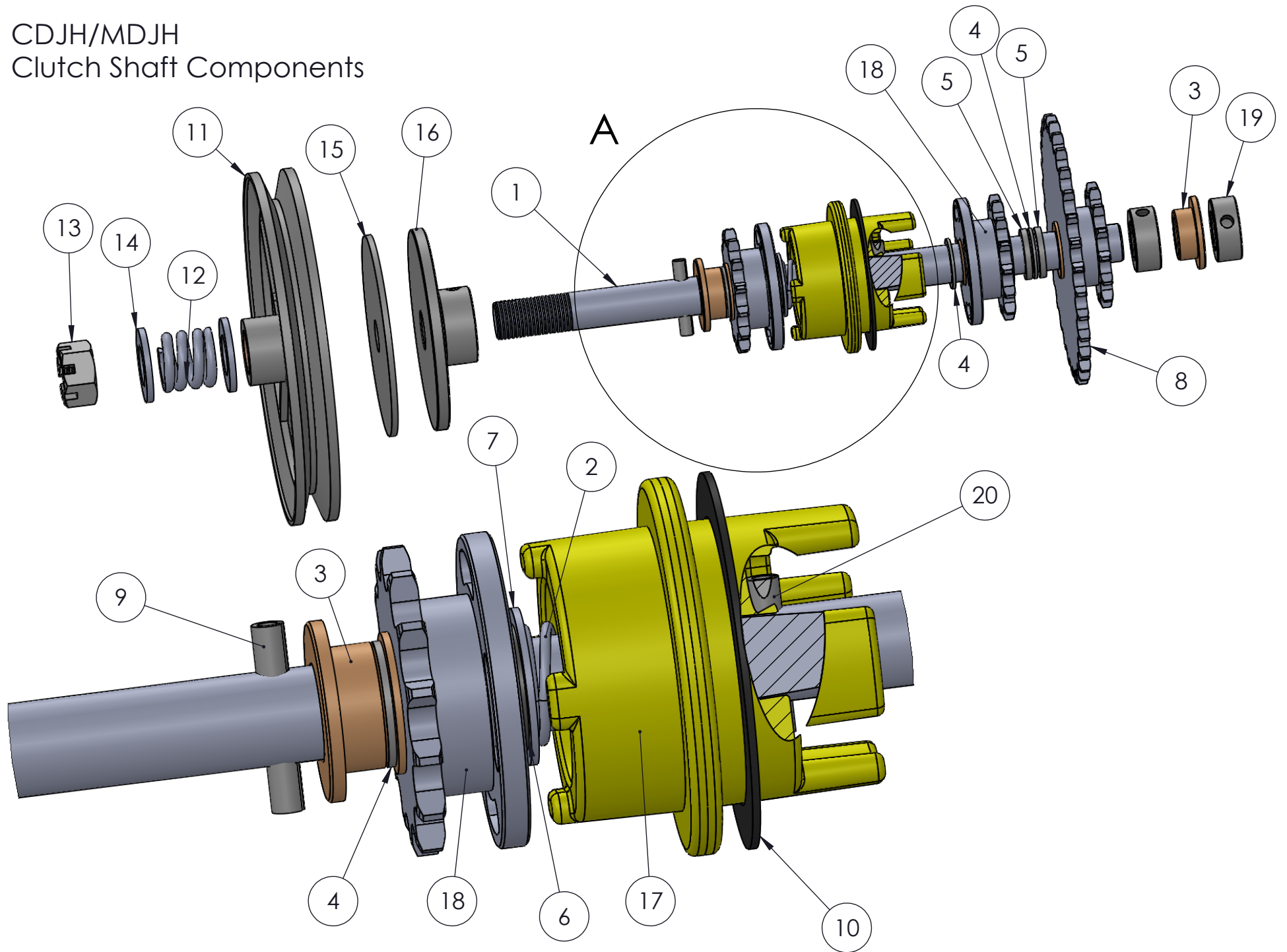
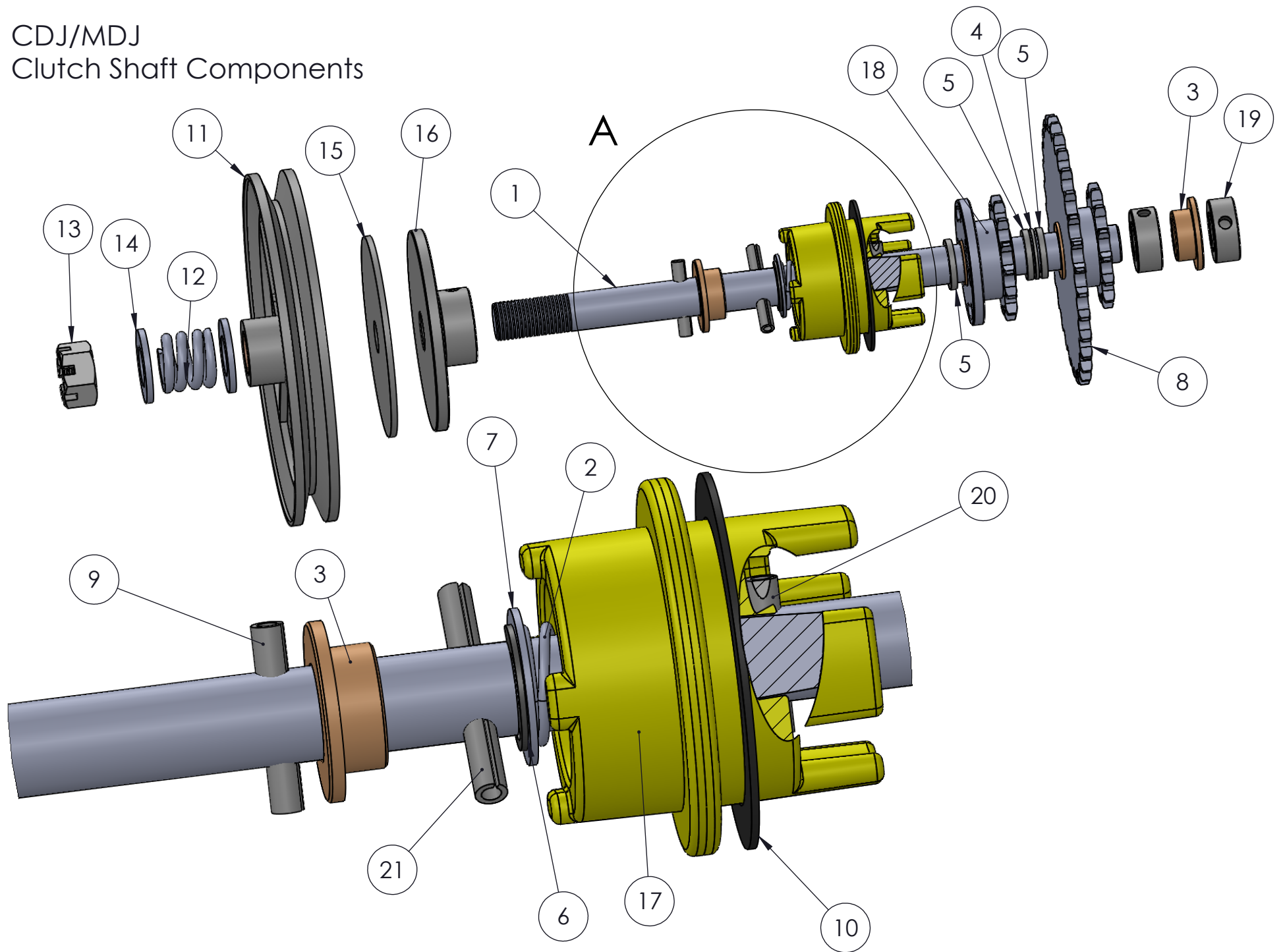


# CDJH/MDJH Clutch Shaft Components



# CDJ/MDJ Clutch Shaft Components



**MDJ CDJ Clutch Shaft Assembly**

- 1 CDJ-MDJ Clutch Shaft
- 2 CDJ-MDJ Compression Spring
- 3 Flange Bushing 3/4 I.D. X 1 O.D.
- 4 Washer 1 x 3/4 x 1/16
- 5 Washer 1 x 3/4 x 1/8
- 6 E-clip for 3/4 shaft
- 7 Thrust Washer
- 8 Cluster Sprocket for 3/4 Shaft (includes Bushing)
- 9 Roll pin 1/4 x 1-1/2
- 10 Friction Washer
- 11 Drive Pulley for CDJ-MDJ
- 12 Clutch Spring
- 13 Castle Nut 3/4
- 14 Washer SAE 3/4
- 15 Clutch Disc 3/4 Bore
- 16 Clutch Hub 3/4 Bore
- 17 CDJ-MDJ Engaging Slide
- 18 Cluster Sprocket - Slotted (includes Bushing)
- 19 Shaft Collar 3/4
- 20 Roll pin 1/4 x 1-1/4
- 21 Roll pin 1/4 x 2