

## APARTMENT/HOUSE TROLLEY WITH LX100 LOGIC BOARD



### MRAT

Apartment/house Trolley Operators are engineered for standard lift doors and are designed for continuous operations.

### FEATURES

- 1/2 HP and 3/4 HP - 115V/230V-1 Phase Motor  
 - 208/230/460/575V-3 Phase Motor
- 1650 RPM, high starting torque motor with overload protection
- TK8202 Interface Module and Contactor
- 1-Button Wall Station included
- Photo-eyes included
- Timer/Light Box
- Pre-wired to accept sensing devices
- External receiver connection
- Ground level disconnect for manual operation
- NEMA 1 Electrical enclosure
- Adjustable friction clutch
- Primary Drive: Heavy Duty 4L V-Belt
- Door speed: Approx. 10" per second
- Doors up to 18 feet high
- Warranty
  - 2 years on parts and motor

MRAT MODEL SHOWN

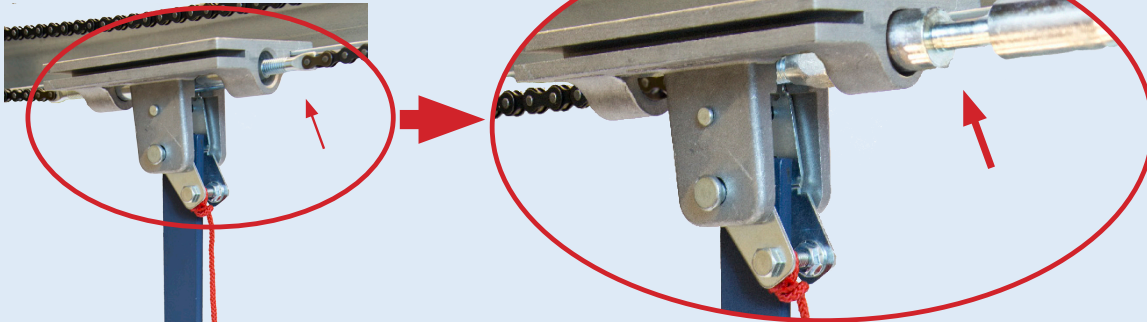
TIMER/LIGHT BOX



### MRAT Series Options

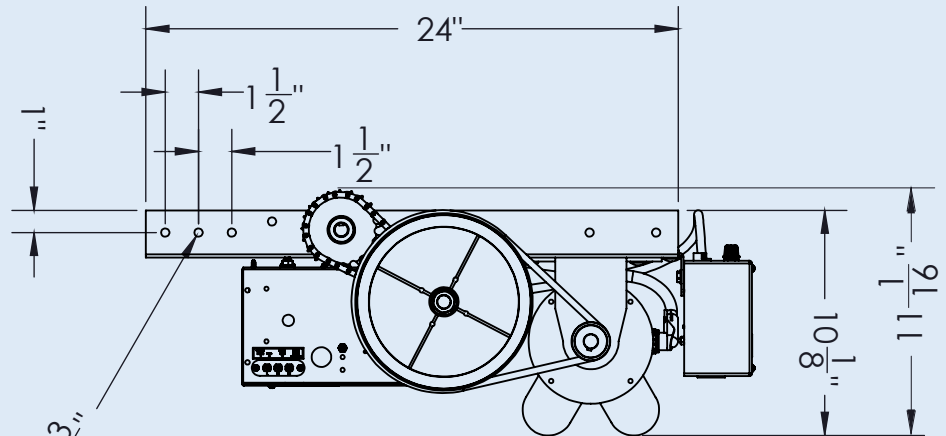
	OPTIONAL	
	#41 DRIVE	SOLENOID BRAKE
MRAT		
MRATB		X
MRATH	X	
MRATBH	X	X

Easy to release trolley for manual operation.

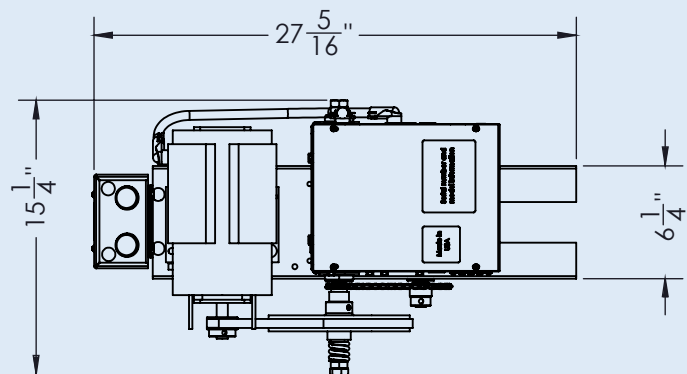


### Manual Operation Release

Trolley automatically reconnects or can be manually reconnected with ease.



### SHOP DIAGRAMS



**Intertek** PROUDLY ASSEMBLED IN NORTH AMERICA

## READY TO ORDER?

Please have the following information available:

- Optional solenoid brake
- Height of the door
- Area of the door
- Number of transmitters needed

**800-233-3599**  
**ARIZONA**  
 101 N. 57th Ave.  
 Phoenix, AZ  
 85043

**800-234-5969**  
**NEW JERSEY**  
 613 Industrial Rd.  
 Carlstadt, NJ  
 07072

**800-338-5399**  
**OHIO**  
 111 Weires Dr.  
 Archbold, OH  
 43502

**888-589-5969**  
**QUEBEC**  
 175 Upper Eddison Ave.  
 St. Lambert, QC  
 J4R 2R3

**888-839-5969**  
**ONTARIO**  
 6311 Vipond Dr.  
 Mississauga, ON  
 L5T 1T7