

INDUSTRIAL DUTY TROLLEY



MCB MODEL SHOWN

MC3

Industrial Duty Trolley Operators are engineered for standard lift doors and are designed for continuous duty operation.

FEATURES

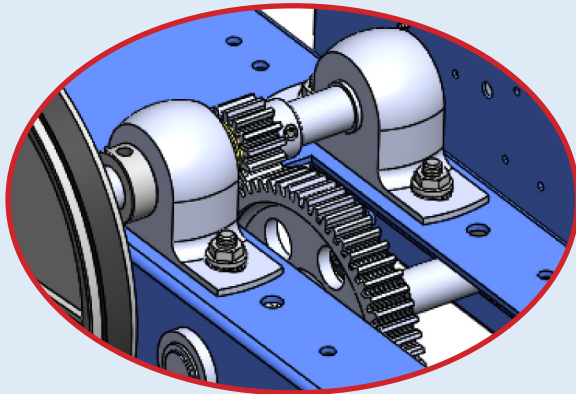
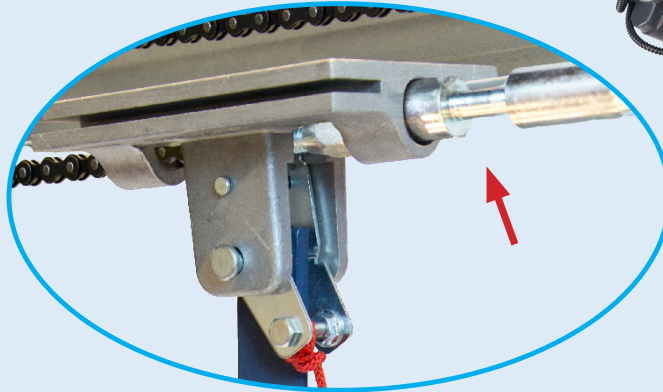
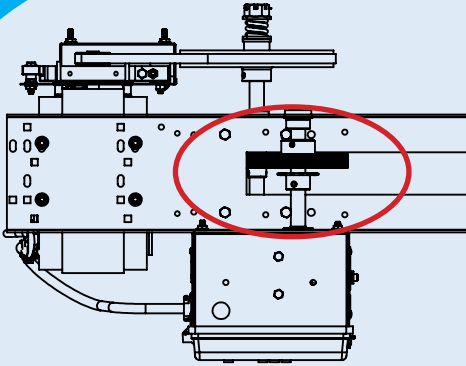
- 1/2 HP, 3/4 HP, and 1 HP - 115V/230V-1 Phase Motor
- 208/230/460/575V-3 Phase Motor
- 3 Button station (NEMA 1)
- 1650 RPM, high starting torque motor with overload protection
- LX 100 BOARD Standard Features (See Accessories cut sheet for more details)
- B2 Mode, C2 Mode, D1 Mode, E2 Mode, T Mode, TS Mode
- On board, Open, Close, & Stop for ease of setting limits
- Photo-eyes included
- Pre-wired to accept sensing devices
- 24 Volt accessory power
- On board (372 MHz) receiver capable of programming up to 20 transmitters
- External receiver connection
- Ground level disconnect for manual operation
- NEMA 1 Electrical enclosure
- Adjustable friction clutch
- Primary Drive: Heavy Duty 4L V-Belt - #65 Drive Chain
- Door speed: Approx. 10" per second
- Doors up to 24 feet high
- Warranty
 - 2 years on parts and motor

MC3 Series Options

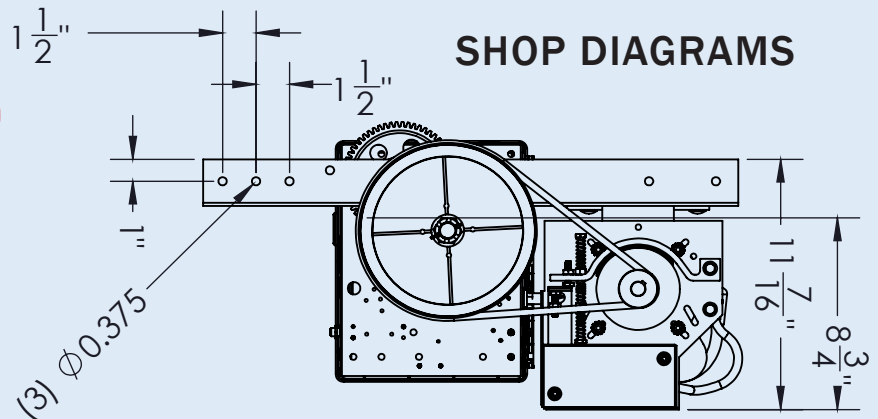
	OPTIONAL	
	#41 DRIVE	SOLENOID BRAKE
MC3		
MCB		X
MC3-H	X	
MCB-H	X	X



Manual Operation Release
Trolley automatically reconnects or can be manually reconnected with ease.



GEAR REDUCTION
Improved motion control and stability.



Intertek PROUDLY ASSEMBLED IN NORTH AMERICA

READY TO ORDER?

Please have the following information available:

- Optional solenoid brake
- Height of the door
- Area of the door
- Number of transmitters needed

800-233-3599
ARIZONA
101 N. 57th Ave.
Phoenix, AZ
85043

800-234-5969
NEW JERSEY
613 Industrial Rd.
Carlstadt, NJ
07072

800-338-5399
OHIO
111 Weires Dr.
Archbold, OH
43502

888-589-5969
QUEBEC
175 Upper Eddison Ave.
St. Lambert, QC
J4R 2R3

888-839-5969
ONTARIO
6311 Vipond Dr.
Mississauga, ON
L5T 1T7