

HEAVY-DUTY COMMERCIAL JACKSHAFT



HDCJ MODEL SHOWN

HDCJ

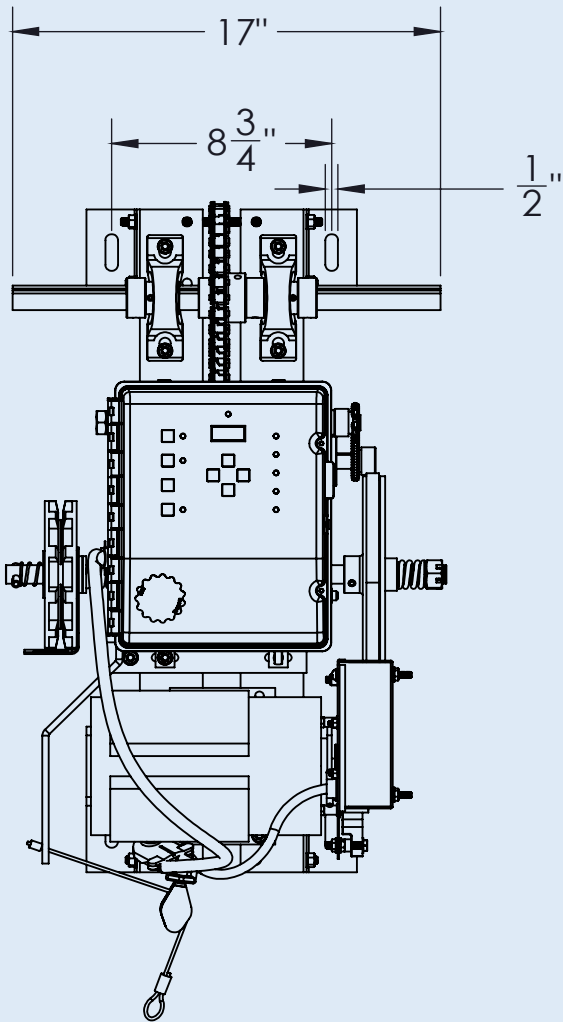
Heavy-Duty Commercial Jackshaft Operators are engineered for high lift & vertical lift sectional doors, rolling doors, and rolling grilles.

FEATURES

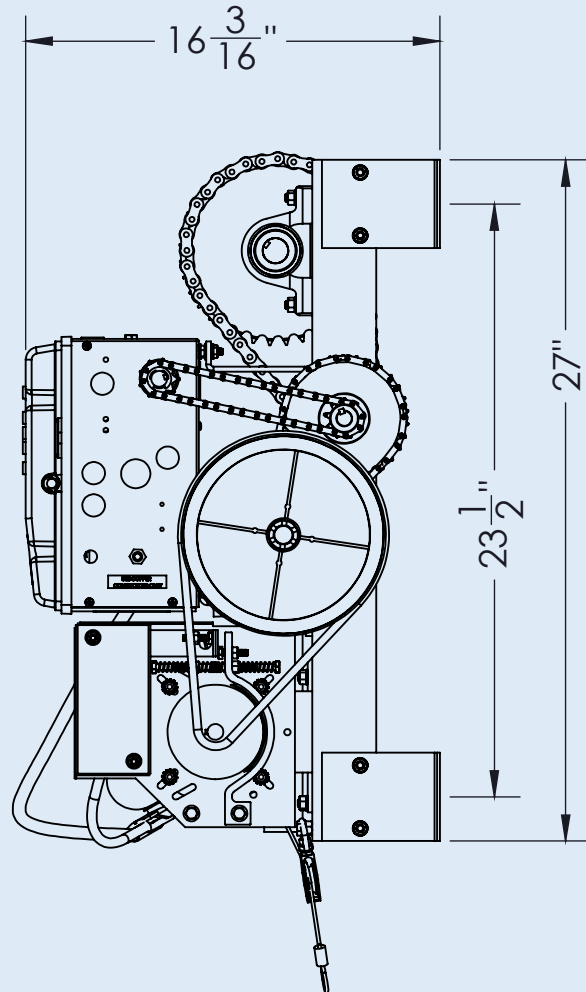
- 1/2 HP, 3/4 HP, and 1 HP - 115V/230V-1 Phase Motor
- 208/230/460/575V-3 Phase Motor
- 3 Button station (NEMA 1)
- 1650 RPM, high starting torque motor with overload protection
- LX 100 BOARD Standard Features (See Accessories cut sheet for more details)
- B2 Mode, C2 Mode, D1 Mode, E2 Mode, T Mode, TS Mode
- On board, Open, Close, & Stop for ease of setting limits
- Photo-eyes included
- Pre-wired to accept sensing devices
- 24 Volt Control Circuit
- On board (372 MHz) receiver capable of programming up to 20 transmitters
- External receiver connection
- NEMA 1 Electrical enclosure
- Adjustable friction clutch
- Primary Drive: Heavy Duty 5L V-Belt
- Secondary: #41 CHAIN / SPROCKETS and #50 CHAIN
- Output: #50 CHAIN / SPROCKETS
- 140 RPM output shaft speed
- Door speed: Approx. 10" per second
- Integrated "Motor Rotation" switch for "through the wall" mounts and other special applications.
- Warranty
 - 2 years on parts and motor

HDCJ Series

| | STANDARD | |
|------|----------|-------------------|
| | HOIST | SOLENOID BRAKE |
| HDCJ | X | X |



SHOP DIAGRAMS



Intertek



PROUDLY ASSEMBLED IN NORTH AMERICA

READY TO ORDER?

Please have the following information available:

- Height and width of the door
- Shaft size
- HP/Voltage
- Rolling or sectional door
- Number of transmitters needed
- Antenna needed

800-233-3599
ARIZONA

101 N. 57th Ave.
Phoenix, AZ
85043

800-234-5969
NEW JERSEY

613 Industrial Rd.
Carlstadt, NJ
07072

800-338-5399
OHIO

111 Weires Dr.
Archbold, OH
43502

888-589-5969
QUEBEC

175 Upper Eddison Ave.
St. Lambert, QC
J4R 2R3

888-839-5969
ONTARIO

6311 Vipond Dr.
Mississauga, ON
L5T 1T7