

# HEAVY-DUTY COMMERCIAL JACKSHAFT



HDCJ MODEL SHOWN

## HDCJ

Heavy-Duty Commercial Jackshaft Operators are engineered for high lift & vertical lift sectional doors, rolling doors, and rolling grilles.

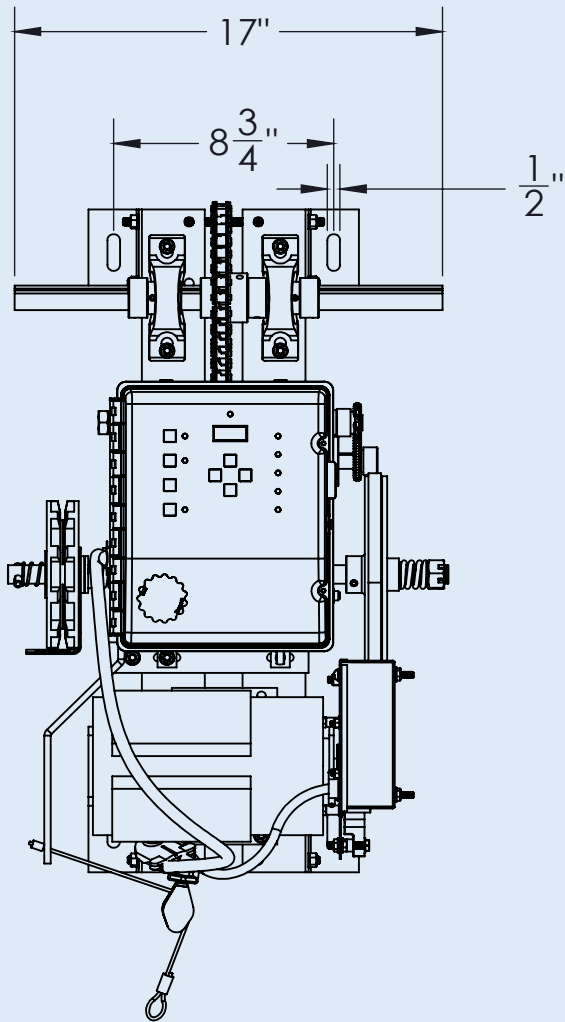
## FEATURES

- 1/2 HP, 3/4 HP, and 1 HP - 115V/230V-1 Phase Motor
- - 208/230/460/575V-3 Phase Motor
- 3 Button station (NEMA 1)
- 1650 RPM, high starting torque motor with overload protection
- LX 100 BOARD Standard Features (See Accessories cut sheet for more details)
  - B2 Mode, C2 Mode, D1 Mode, E2 Mode, T Mode, TS Mode
- On board, Open, Close, & Stop for ease of setting limits
- Photo-eyes included
- Pre-wired to accept sensing devices
- 24 Volt Control Circuit
- On board (372 MHz) receiver capable of programming up to 20 transmitters
- External receiver connection
- Ground level disconnect for manual operation
- NEMA 1 Electrical enclosure
- Adjustable friction clutch
- Primary Drive: Heavy Duty 5L V-Belt
- Secondary: #41 CHAIN / SPROCKETS and #50 CHAIN
- Output: #50 CHAIN / SPROCKETS
- 140 RPM output shaft speed
- Door speed: Approx. 10" per second
- Integrated "Motor Rotation" switch for "through the wall" mounts and other special applications.
- Warranty
  - 2 years on parts and motor

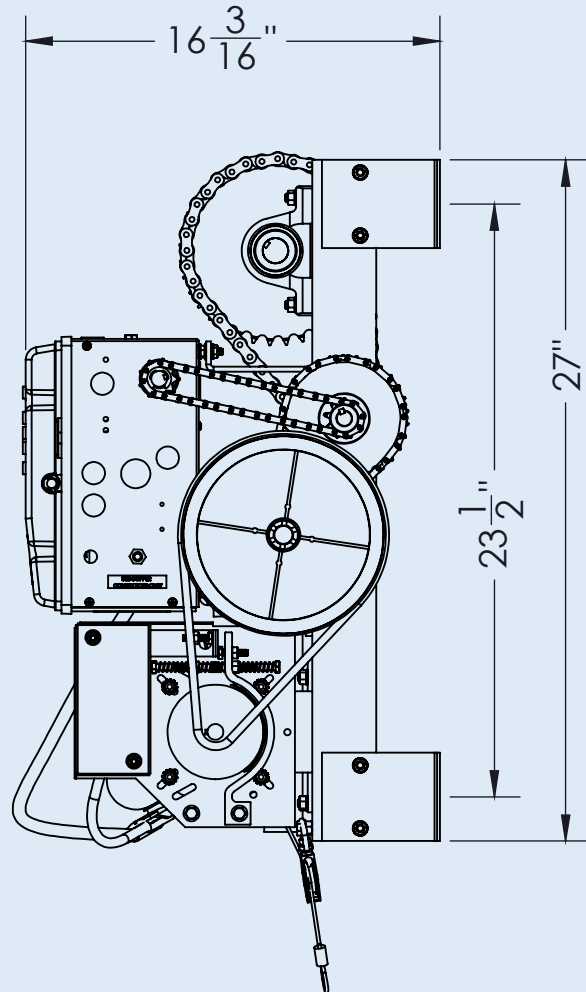
## HDCJ Series

STANDARD		
	HOIST	SOLENOID BRAKE
HDCJ	X	X

## HDCJ SERIES



### SHOP DIAGRAMS



**Intertek**



PROUDLY ASSEMBLED IN NORTH AMERICA

### READY TO ORDER?

Please have the following information available:

- Height and width of the door
- Shaft size
- HP/Voltage
- Rolling or sectional door
- Number of transmitters needed
- Antenna needed

**800-233-3599**

**ARIZONA**

101 N. 57th Ave.  
Phoenix, AZ  
85043

**800-234-5969**

**NEW JERSEY**

25 Empire Blvd.  
South Hackensack, NJ  
07606

**800-338-5399**

**OHIO**

111 Weires Dr.  
Archbold, OH  
43502

**888-589-5969**

**QUEBEC**

175 Upper Eddison Ave.  
St. Lambert, QC  
J4R 2R3

**888-839-5969**

**ONTARIO**

6311 Vipond Dr.  
Mississauga, ON  
L5T 1T7