

Continuous DUTY JACKSHAFT



CDJH-WD MODEL SHOWN



CDJ-WASHDOWN

Continuous Duty Jackshaft Washdown Operators are engineered for high lift & vertical lift sectional doors, rolling doors and rolling grilles.

FEATURES

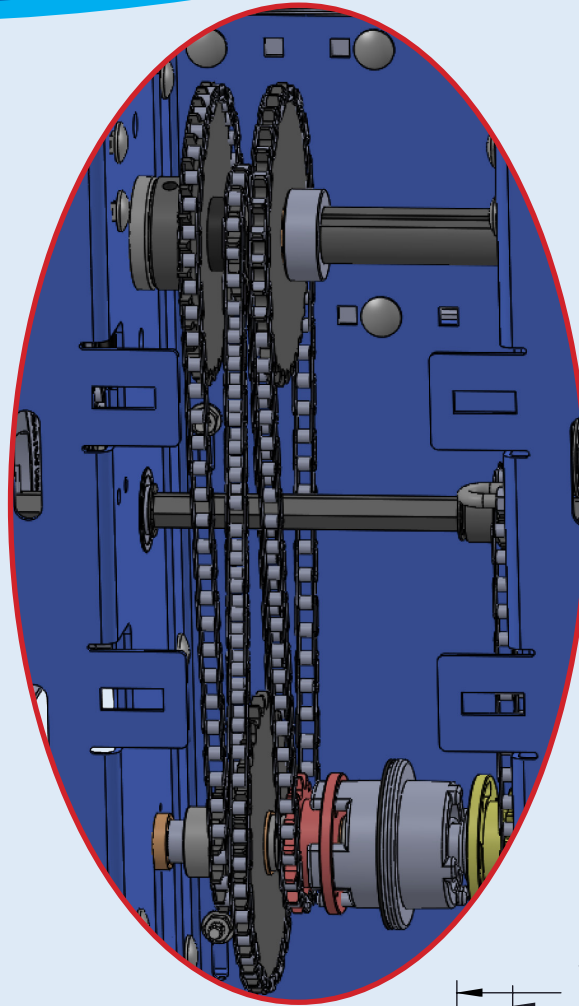
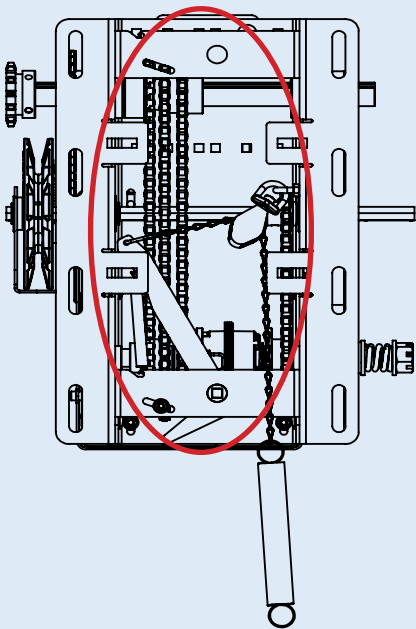
- 1/2 HP, 3/4 HP, and 1 HP - 115V/230V-1 Phase Motor
- 208/230/460/575V-3 Phase Motor
- 1725 RPM, high starting torque motor
- Inherent Mechanical Brake (I.M.B)
- LX 100 BOARD Standard Features (See Accessories cut sheet for more details)
- B2 Mode, C2 Mode, D1 Mode, E2 Mode, T Mode, TS Mode
- On board, Open, Close, & Stop for ease of setting limits
- Photo-eyes included (Waterproof)
- Pre-wired to accept sensing devices
- 24 Volt accessory power
- On board (372 MHz) receiver capable of programming up to 20 transmitters
- NEMA 4x electrical enclosure
- Adjustable friction clutch
- Maximum Output Revolutions - 45
- Primary Drive: Heavy Duty 4L V-Belt
- Secondary: #41 CHAIN / SPROCKETS
- Output: #50 CHAIN / SPROCKETS
- 33 RPM output shaft speed
- Door speed determined by the door system installed
- Standard sprockets:
 - Sectional: 50B12 x 1" bore to 50B18 x 1" bore OR 50B18 x 1 1/4" bore
 - Steel Rolling: 50B12 x 1" bore to 50B24 x 1 1/4" bore
- Warranty
 - 2 years on parts and motor

CDJ-WD Series Options

	STANDARD	OPTIONAL
	INHERENT MECHANICAL  BRAKE	HOIST 
CDJ-WD	X	
CDJH-WD	X	X

Inherent Mechanical Brake

Our I.M.B. is highly effective through the use of multiple gears, chains, and bushings which provide improved motion control and stability.

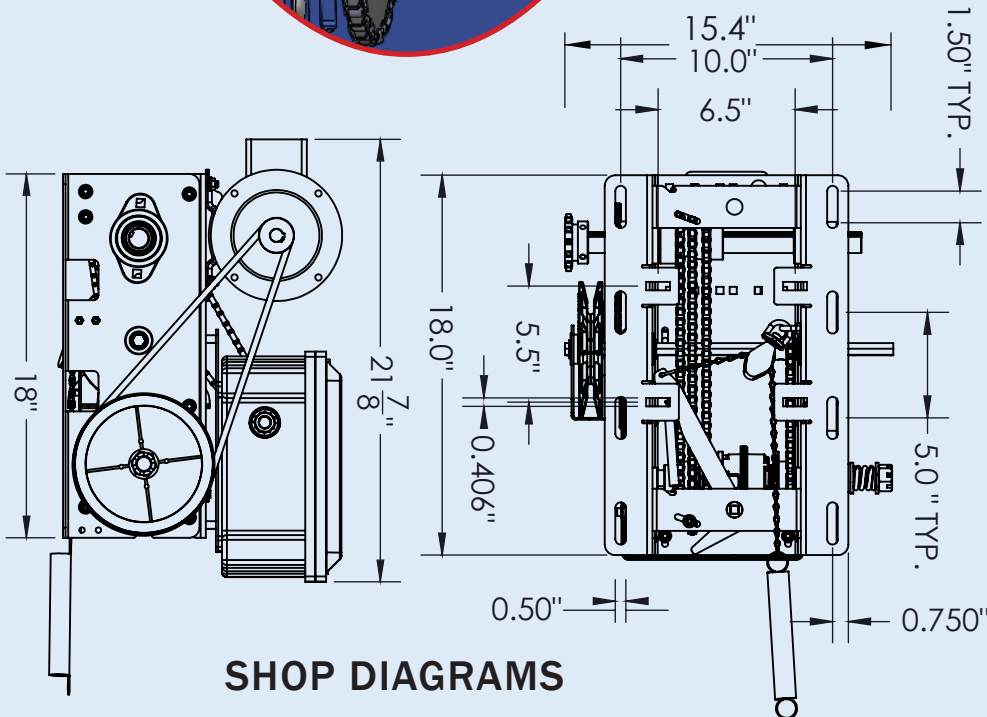


PROUDLY ASSEMBLED IN NORTH AMERICA

READY TO ORDER?

Please have the following information available:

- Optional chain hoist
- Height and width of the door
- Shaft size
- HP/Voltage
- Rolling or sectional door
- Number of transmitters needed
- Antenna needed



800-233-3599

ARIZONA

101 N. 57th Ave.
Phoenix, AZ
85043

800-234-5969

NEW JERSEY

613 Industrial Rd.
Carlstadt, NJ
07072

800-338-5399

OHIO

111 Weires Dr.
Archbold, OH
43502

888-589-5969

QUEBEC

175 Upper Eddison Ave.
St. Lambert, QC
J4R 2R3

888-839-5969

ONTARIO

6311 Vipond Dr.
Mississauga, ON
L5T 1T7