

## Continuous DUTY JACKSHAFT

### CDJ

Continuous Duty Jackshaft Operators are engineered for high lift & vertical lift sectional doors, rolling doors and rolling grilles.






CDJH MODEL SHOWN

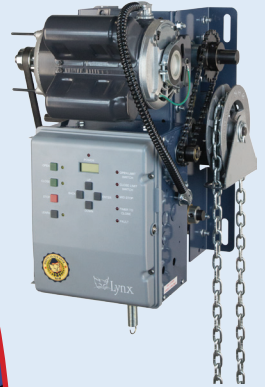
### FEATURES

- 1/2 HP, 3/4 HP, and 1 HP - 115V/230V-1 Phase Motor  
- 208/230/460/575V-3 Phase Motor
- 3 Button station (NEMA 1)
- 1650 RPM, high starting torque motor with overload protection
- Inherent Mechanical Brake (I.M.B)
- LX 100 BOARD Standard Features (See Accessories cut sheet for more details)  
- B2 Mode, C2 Mode, D1 Mode, E2 Mode, T Mode, TS Mode
- On board, Open, Close, & Stop for ease of setting limits
- Photo-eyes included
- Pre-wired to accept sensing devices
- 24 Volt accessory power
- On board (372 MHz) receiver capable of programming up to 20 transmitters
- External receiver connection
- NEMA 1 Electrical enclosure
- Adjustable friction clutch
- Maximum Output Revolutions - 45
- Primary Drive: Heavy Duty 4L V-Belt
- Secondary: #41 CHAIN / SPROCKETS
- Output: #50 CHAIN / SPROCKETS
- 32 RPM output shaft speed
- Door speed determined by the door system installed
- Standard sprockets:
  - Sectional: 50B12 x 1" bore to 50B18 x 1" bore OR 50B18 x 1 1/4" bore
  - Steel Rolling: 50B12 x 1" bore to 50B24 x 1 1/4" bore
- Warranty
  - 2 years on parts and motor

### CDJ Series Options

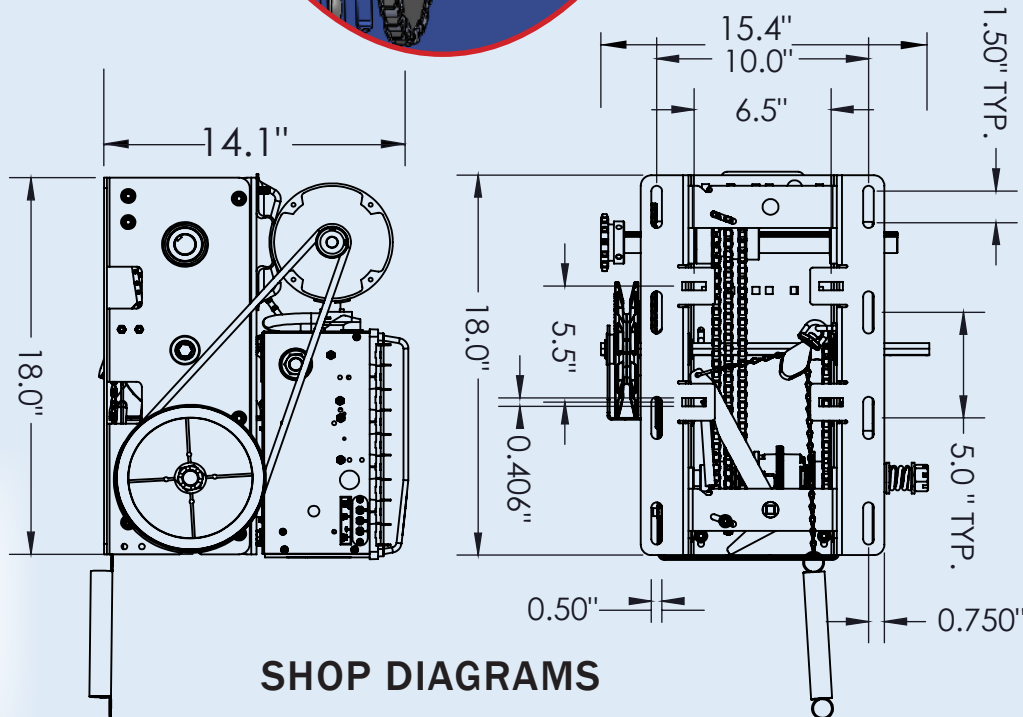
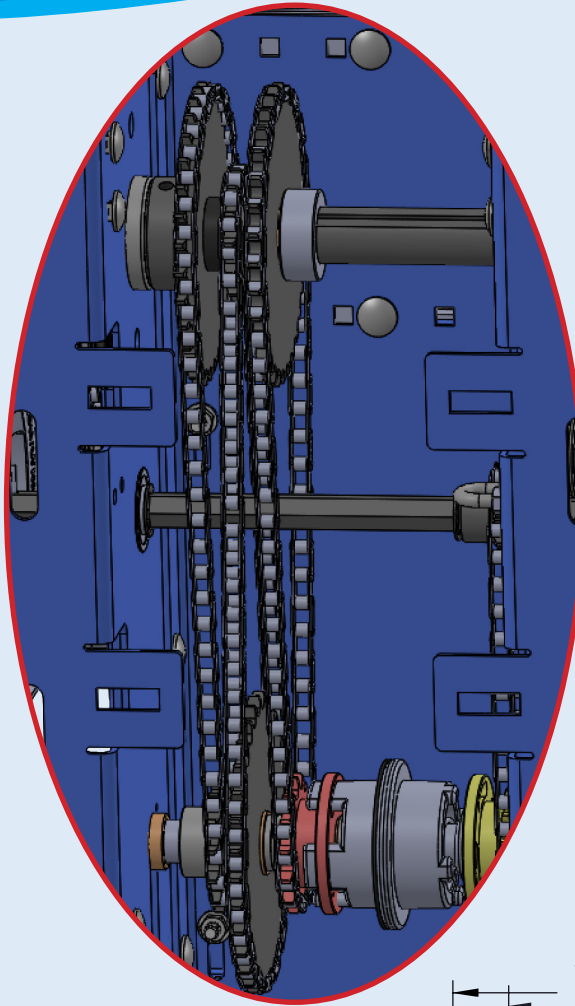
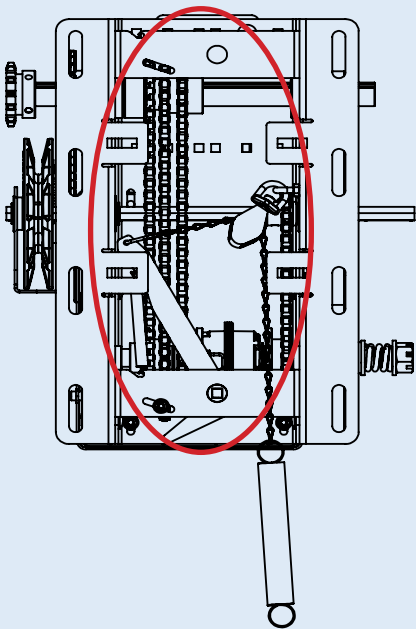
	STANDARD	OPTIONAL	
	INHERENT MECHANICAL  BRAKE	HOIST 	SOLENOID  BRAKE
CDJ	X		
CDJH	X	X	
CDJB	X		X
CDJBH	X	X	X

## CDJ SERIES



### Inherent Mechanical Brake

Our I.M.B. is highly effective through the use of multiple gears, chains, and bushings which provide improved motion control and stability.



### SHOP DIAGRAMS



Intertek PROUDLY ASSEMBLED IN NORTH AMERICA

### READY TO ORDER?

Please have the following information available:

- Optional chain hoist
- Height and width of the door
- Shaft size
- HP/Voltage
- Rolling or sectional door
- Number of transmitters needed
- Antenna needed

**800-233-3599**  
**ARIZONA**

101 N. 57th Ave.  
Phoenix, AZ  
85043

**800-234-5969**  
**NEW JERSEY**

613 Industrial Drive  
Carlstadt, NJ  
07072

**800-338-5399**  
**OHIO**

111 Weires Dr.  
Archbold, OH  
43502

**888-589-5969**  
**QUEBEC**

175 Upper Eddison Ave.  
St. Lambert, QC  
J4R 2R3

**888-839-5969**  
**ONTARIO**

6311 Vipond Dr.  
Mississauga, ON  
L5T 1T7