



Ambass-a-dor[®]

Trouble-Free Automatic Garage Door Systems



Just for Openers!



Ambass-a-dor®

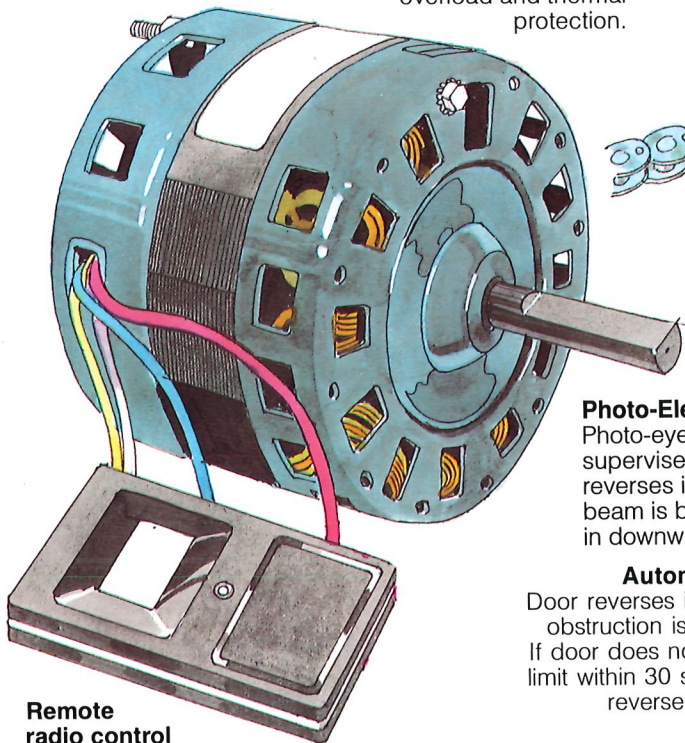
Made in America

Made to last

An Ambass-a-dor automatic garage door system is an investment in quality. All operating components are built from rugged, durable steel for years of trouble-free service. Available for either sectional or one-piece, jamb hardware-type doors.

Thermally protected motor

Reliable 1/3-hp capacitor start-type motor has built-in overload and thermal protection.

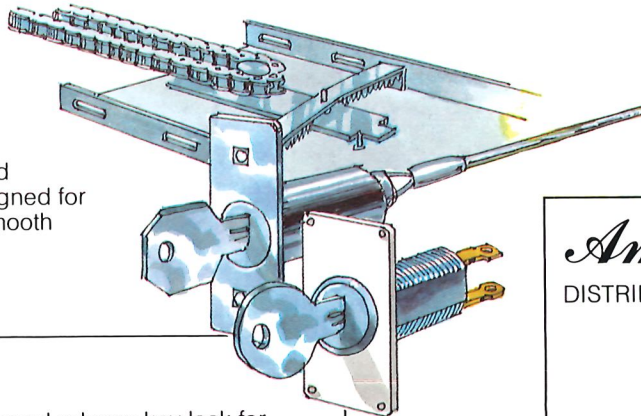


Remote radio control

FCC-approved, individually coded for your safety and privacy. Clip-on bracket allows easy mounting or removal from car.

Strong, silent chain drive

Long-lasting and efficient — designed for thousands of smooth openings.



Options

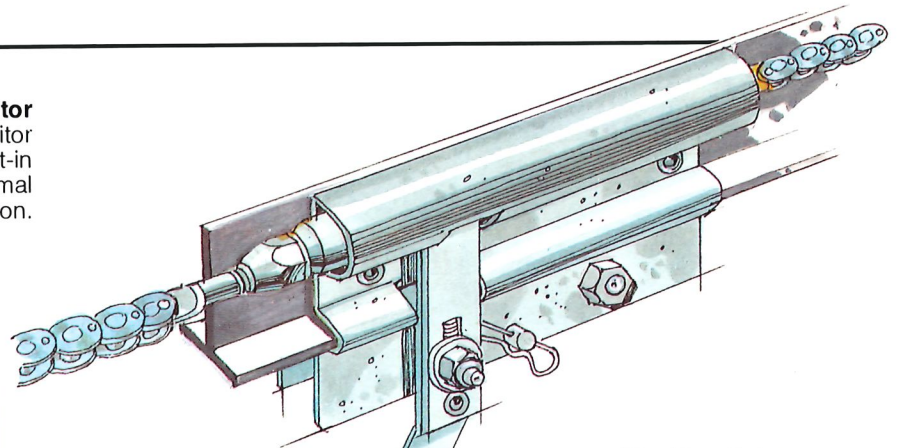
- Exterior manual-release key lock for quick release of door during power failure... a must for vault-type garages.
- Exterior key switch allows you to operate door electrically without remote control.
- 1/2-hp motor in lieu of standard 1/3-hp motor.

Photo-Electric Eye

Photo-eye constantly supervises opening. Door reverses instantly if photo beam is broken when door is in downward travel.

Automatic reverse

Door reverses instantly if any obstruction is encountered. If door does not reach down limit within 30 seconds, it will reverse automatically.



Flashing light

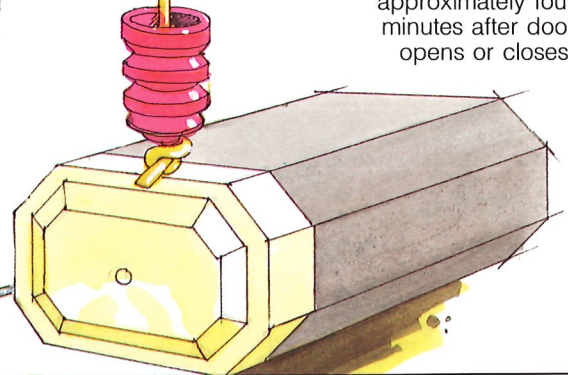
Light flashes during cycle.

Emergency release

Provides for manual operation in case of power failure. Automatically re-engages when power is restored.

Time-delay light switch

Light remains on for approximately four minutes after door opens or closes.



Ambass-a-dor® A Lynx Company

DISTRIBUTED BY:

NEW JERSEY:
166 Gould Ave.
Paterson, New Jersey
07503

PHOENIX:
101 North 57th Ave.
Phoenix, Arizona
85043

OHIO:
P.O. Box 160
Route 66 South
Archbold, Ohio
43502

LOS ANGELES:
15801 Stagg Street
Van Nuys, California
91406

MONTREAL:
175 ave. Upper Edison
St-Lambert, Quebec
J4R 2R3

TORONTO:
1040 Meyerside Drive
Mississauga, Ontario
L5T 1J4



RESIDENTIAL GARAGE DOOR OPERATORS

CONFIDENTIAL DEALER PRICE LIST

<u>MODEL</u>	<u>DESCRIPTION</u>	<u>1-4</u>	<u>5-24</u>	<u>25-49</u>	<u>50-99</u>	<u>100 +</u>
9007	1/3 HP Chain drive 7' Hi					
9008	1/3 HP Chain drive 8' Hi					
9007	1/2 HP Chain drive 7' Hi					
9008	1/2 HP Chain drive 8' Hi					
9010	1/3 HP Chain drive 10' Hi					
9010	1/2 HP Chain drive 10' Hi					

AMBASSADOR SINGLE RADIO CONTROL WITH PURCHASE OF OPERATOR
 AMBASSADOR DOUBLE RADIO CONTROL WITH PURCHASE OF OPERATOR

Models 9000 and AMR Operators include PHOTO CELL. Above prices are without Radio Control.
 All Units accept standard 24 volt, 3 terminal radio control. Single Wall
 Button & 24 volt wire standard.

HEAVY DUTY RESIDENTIAL TROLLEY OPERATOR

<u>MODEL</u>	<u>DESCRIPTION</u>	<u>1-4</u>	<u>5-24</u>	<u>25-49</u>	<u>50-99</u>	<u>100 +</u>
AMR-7	1/2 HP					
AMR-8	1/2 HP					
AMR-10	1/2 HP					

OPTIONS - 9000 SERIES & MODEL AMR

<u>DESCRIPTION</u>	<u>NET/EACH</u>
RESIDENTIAL KEY SWITCH	
EMERGENCY KEY RELEASE	
RIGHT ANGLE MOUNT (9000 SERIES)	
LIGHT SWITCH FEATURE WITH 2 BUTTON STATION	
REVERSE MOUNT (MODEL AMR)	
SLOW SPEED W/10" PULLEY (MODEL AMR)	

NAPOLEON SPRING WORKS, INC. - NAPOLEON/LYNX, INC.

OHIO
 P.O. BOX 160, ROUTE 68 SOUTH
 ARCHBOLD, OHIO 43502
 TOLL FREE: 800-338-5399
 419-445-1010
 FAX: 419-446-2016

CALIFORNIA
 15801 STAGG STREET
 VAN NUYS, CA. 91408
 TOLL FREE: 800-369-6351
 818-908-9935
 FAX: 818-908-1151

NEW JERSEY
 166 GOULD AVE.
 PATERSON, NEW JERSEY 07503
 TOLL FREE: 800-234-5969
 201-278-5588
 FAX: 201-742-9832

NORTH CAROLINA
 150 HORN ST.
 MOCKSVILLE, NC. 27028
 TOLL FREE: 800-554-9004
 704-634-9780
 FAX: 704-634-9781

ARIZONA
 101 NORTH 57 TH AVE.
 PHOENIX, ARIZONA 85043
 TOLL FREE: 800-233-3599
 602-352-1010
 FAX: 602-352-1341

RADIO CONTROL PRICE LIST

PART #	LINEAR	1 - 12	13 - 24	25+
DS	SINGLE SET			
DD	DOUBLE SET			
DT	TRANSMITTER			
DR	RECEIVER			
DT2A	2 CH. TRANSMITTER			
DR2	2 CH. RECEIVER			
DT4	4 CH. TRANSMITTER			
DR4	4 CH. RECEIVER			
MT	LADYBUG TRANSMITTER			
EK2T	TRANSMITTER			
EXA-GP	ANTENA			
LA	COAXIAL CABLE, 12' LG. EAA ANTENA ADAPTER #524 TRANSFORMER FULL SURGE PROTECTOR			
DNR00013	RECEIVER DRQ LG. DISTAI			
DTKP	WIRELESS KEYPAD CLIP FOR XMITTER COVER, XMITTER COVER, MINI XMITTER			

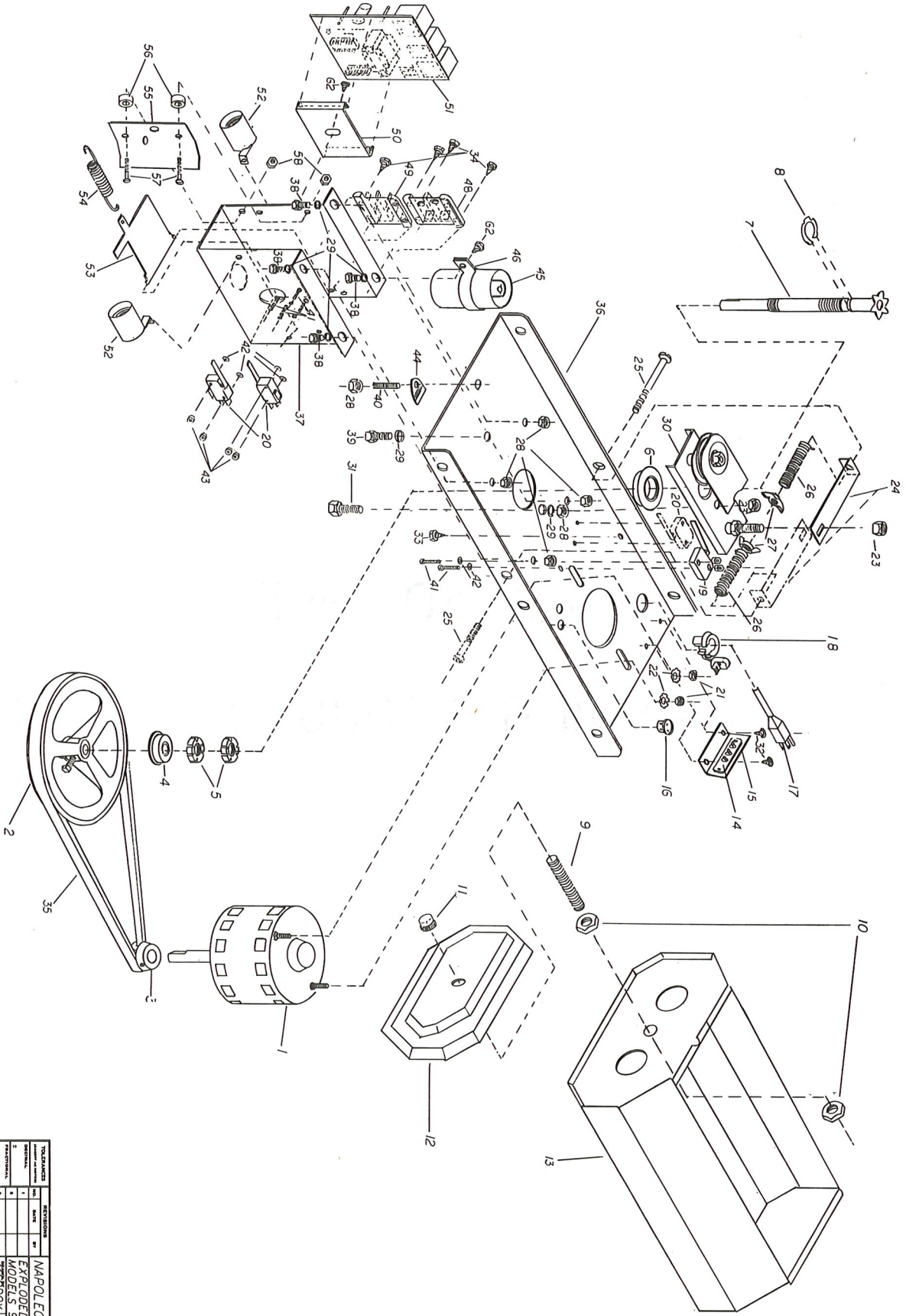
PART #	MULTI - CODE	1 - 12	13 - 24	25+
MC1001	SINGLE SET			
RC4911	SINGLE SET ROLLING COD			
MC2022	DOUBLE SET			
RC4922	DOUBLE SET ROLLING COI			
308901	TRANSMITTER			
490101	TRANSMITTER ROLL/CODI			
109008	RECEIVER			
303021	2 CH. TRANSMITTER			
303301	4 CH. TRANSMITTER			
303001	MINI TRANSMITTER			
109207	TRANSFORMER			
109206	POWER ADAPTOR CABLE			
420001	WIRELESS KEY PAD			
470001	WIRELESS KEY PAD DUAL TECH CODE KEY			

PART #	DOMINO	1 - 12	13 - 24	25+
	KEYPAD, WIRED			



9000 HEAD UNIT

DRAWING #700070



POLYMER		REVISIONS	
NO.	DATE	BY	DESCRIPTION
1			WAPOLEON LYNX CO PART M/L
2			EXPLODED VIEW POWER HEAD
3			MODELS 5000PC-5050PC
4			WAPOLEON LYNX CO
5			REV 3/22/91
6			700070

NAPOLEON / LYNX

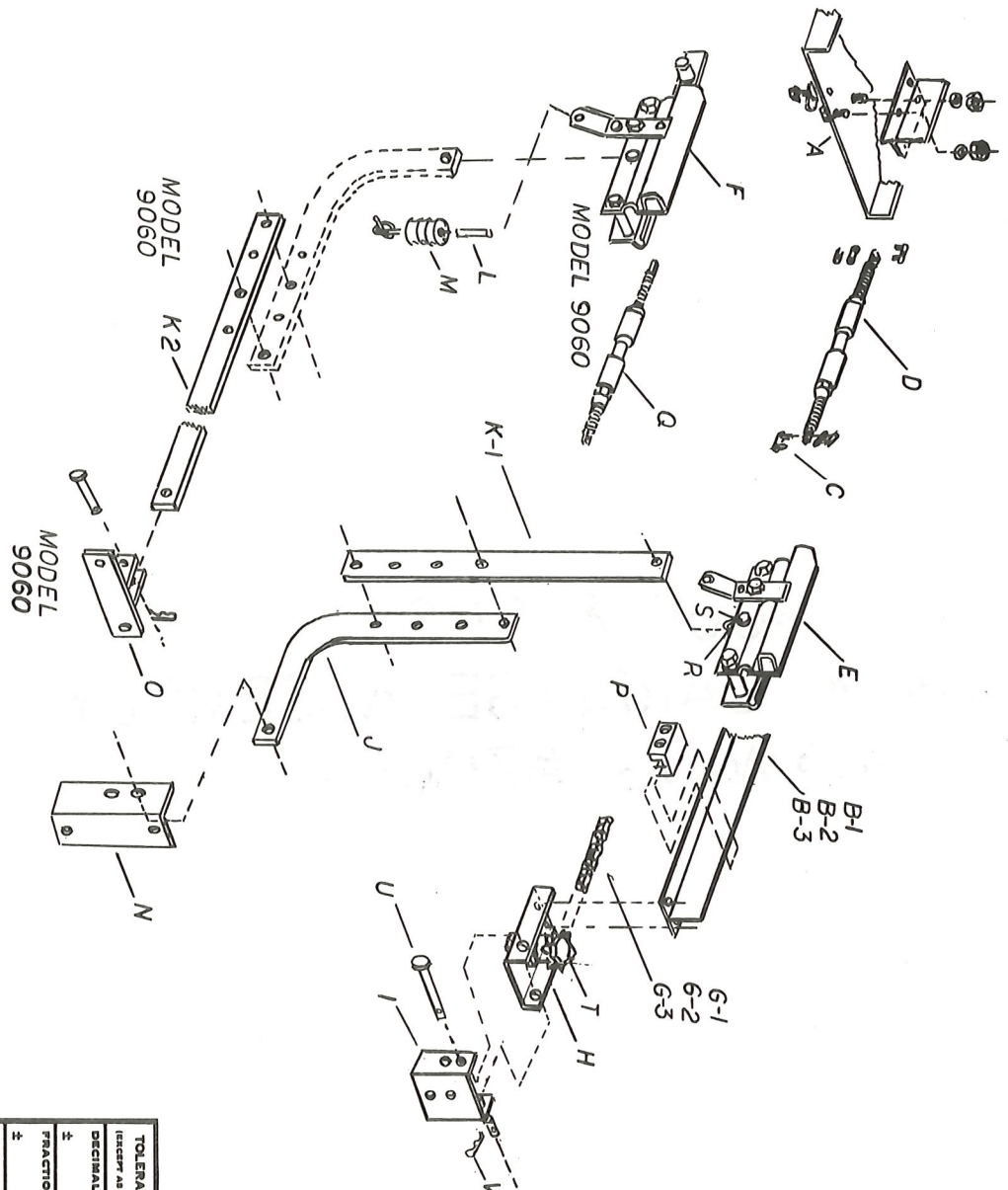
PARTS LIST DRAWING #700070 MODELS 9000 & 9060 POWER HEAD

7/1/97

REF #	DESCRIPTION	QTY.	LIST PRICE
1	MTR #322P737 1/3 HP 115V 1000 R.P.M.	1	
1A	MTR #322P953 1/2 HP 115V 1000 R.P.M.	1	
1B	MTR #322P905 3/4 HP 115V 450 R.P.M.	1	
2	DRIVE PULLEY 8" O.D. X 1/2" BORE	1	
3	MOTOR PULLEY 1 1/2" O.D. X 1/2" BORE	1	
4	BEARING, BALL FLANGED 1 3/8" O.D. X 1/2" I.D.	1	
5	TRAVELLING NUTS, 5/8 - 24	2	
6	BEARING, BALL FLANGED 1 3/8" O.D. X 5/8" I.D.	1	
7	SHAFT AND SPROCKET ASSY.	1	
8	RETAINING RING	1	
9	PIPE NIPPLE, 1/8" X 3 1/2" LG.	1	
10	1/8" HEX PAL NUT	2	
11	WHITE KNOB, 1/8"	1	
12	PLASTIC LENS	1	
13	ENCLOSURE COVER	1	
14	TERMINAL STRIP, 7 POLE	1	
15	TERMINAL STRIP SUPPORT BRACKET	1	
16	BUSHING, SNAP	1	
17	LINE CORD, SJT 18/3, 4' LG.	1	
18	BUSHING, STRAIN RELIEF	1	
19	SWITCH, OVERLOAD S.P.D.T. (D43-C)	1	
20	SWITCH, OVERLOAD S.P.D.T. (D43-C)	2	
21	ELASTIC STOP HEX NUT 10-32	2	
22	LOCK WASHER, INTERNAL TOOTH #10	2	
23	ELASTIC STOP HEX NUT 1/4-20	2	
24	BRACKET, SPRING OVERLOAD	1	
25	1/4-20 X 3 3/8" ROUND HEAD MACHINE SCREW	1	
26	SPRING, OVERLOAD 1/4" X 2 3/4" LG.	1	
27	WING NUT, 1/4-20	1	
28	NUT, HEX 1/4-20	6	
29	LOCK WASHER, 1/4" SPLIT RING	5	
30	OVERLOAD PLATE ASSEMBLY	1	
35	V BELT, 4L310	1	
36	BASE PLATE	1	
37	A FRAME	1	
44	RETAINING CLIP, COVER	1	
45	CAPACITOR, MOTOR 54 - 63 MFD 330VAC	1	
45A	CAPACITOR, MOTOR 64 - 77 MFD 330VAC	1	
46	CLIP, CAPACITOR	1	
48	TERMINAL BLOCK, HIGH VOLTAGE	1	
49	TERMINAL STRIP, SURGE SUPPRESSOR	1	
50	SNAP TRACK, P.C. BOARD MOUNT	1	
51	P.C. CONTROL BOARD	1	
52	LAMP HOLDER SOCKET	2	
53	SWITCH ACTIVATOR PLATE	1	
54	ACTIVATOR SPRING	1	
55	RETAINING PLATE, TRAVELING NUT	1	
56	SNUBBER RUBBER	2	
MISC	VARISTORS, SURGE SUPPRESSORS (FOR #49 TERM. STRIP)	2	
MISC	POST, NYLON P.C. BOARD MOUNT (P.N. 27LLP0375)	4	

9000 & 9060
TRACK & CARRIAGE ASSEMBLY
DRAWING #700011

TITLE	
DATE	BY
APPROVED	BY
REVISIONS	
NO.	DESCRIPTION
1	INITIAL DESIGN
2	REVISED TO SHOW CHANGES
3	REVISED TO SHOW CHANGES
4	REVISED TO SHOW CHANGES
5	REVISED TO SHOW CHANGES
6	REVISED TO SHOW CHANGES
7	REVISED TO SHOW CHANGES
8	REVISED TO SHOW CHANGES
9	REVISED TO SHOW CHANGES
10	REVISED TO SHOW CHANGES
11	REVISED TO SHOW CHANGES
12	REVISED TO SHOW CHANGES
13	REVISED TO SHOW CHANGES
14	REVISED TO SHOW CHANGES
15	REVISED TO SHOW CHANGES
16	REVISED TO SHOW CHANGES
17	REVISED TO SHOW CHANGES
18	REVISED TO SHOW CHANGES
19	REVISED TO SHOW CHANGES
20	REVISED TO SHOW CHANGES
21	REVISED TO SHOW CHANGES
22	REVISED TO SHOW CHANGES
23	REVISED TO SHOW CHANGES
24	REVISED TO SHOW CHANGES
25	REVISED TO SHOW CHANGES
26	REVISED TO SHOW CHANGES
27	REVISED TO SHOW CHANGES
28	REVISED TO SHOW CHANGES
29	REVISED TO SHOW CHANGES
30	REVISED TO SHOW CHANGES
31	REVISED TO SHOW CHANGES
32	REVISED TO SHOW CHANGES
33	REVISED TO SHOW CHANGES
34	REVISED TO SHOW CHANGES
35	REVISED TO SHOW CHANGES
36	REVISED TO SHOW CHANGES
37	REVISED TO SHOW CHANGES
38	REVISED TO SHOW CHANGES
39	REVISED TO SHOW CHANGES
40	REVISED TO SHOW CHANGES
41	REVISED TO SHOW CHANGES
42	REVISED TO SHOW CHANGES
43	REVISED TO SHOW CHANGES
44	REVISED TO SHOW CHANGES
45	REVISED TO SHOW CHANGES
46	REVISED TO SHOW CHANGES
47	REVISED TO SHOW CHANGES
48	REVISED TO SHOW CHANGES
49	REVISED TO SHOW CHANGES
50	REVISED TO SHOW CHANGES
51	REVISED TO SHOW CHANGES
52	REVISED TO SHOW CHANGES
53	REVISED TO SHOW CHANGES
54	REVISED TO SHOW CHANGES
55	REVISED TO SHOW CHANGES
56	REVISED TO SHOW CHANGES
57	REVISED TO SHOW CHANGES
58	REVISED TO SHOW CHANGES
59	REVISED TO SHOW CHANGES
60	REVISED TO SHOW CHANGES
61	REVISED TO SHOW CHANGES
62	REVISED TO SHOW CHANGES
63	REVISED TO SHOW CHANGES
64	REVISED TO SHOW CHANGES
65	REVISED TO SHOW CHANGES
66	REVISED TO SHOW CHANGES
67	REVISED TO SHOW CHANGES
68	REVISED TO SHOW CHANGES
69	REVISED TO SHOW CHANGES
70	REVISED TO SHOW CHANGES
71	REVISED TO SHOW CHANGES
72	REVISED TO SHOW CHANGES
73	REVISED TO SHOW CHANGES
74	REVISED TO SHOW CHANGES
75	REVISED TO SHOW CHANGES
76	REVISED TO SHOW CHANGES
77	REVISED TO SHOW CHANGES
78	REVISED TO SHOW CHANGES
79	REVISED TO SHOW CHANGES
80	REVISED TO SHOW CHANGES
81	REVISED TO SHOW CHANGES
82	REVISED TO SHOW CHANGES
83	REVISED TO SHOW CHANGES
84	REVISED TO SHOW CHANGES
85	REVISED TO SHOW CHANGES
86	REVISED TO SHOW CHANGES
87	REVISED TO SHOW CHANGES
88	REVISED TO SHOW CHANGES
89	REVISED TO SHOW CHANGES
90	REVISED TO SHOW CHANGES
91	REVISED TO SHOW CHANGES
92	REVISED TO SHOW CHANGES
93	REVISED TO SHOW CHANGES
94	REVISED TO SHOW CHANGES
95	REVISED TO SHOW CHANGES
96	REVISED TO SHOW CHANGES
97	REVISED TO SHOW CHANGES
98	REVISED TO SHOW CHANGES
99	REVISED TO SHOW CHANGES
100	REVISED TO SHOW CHANGES



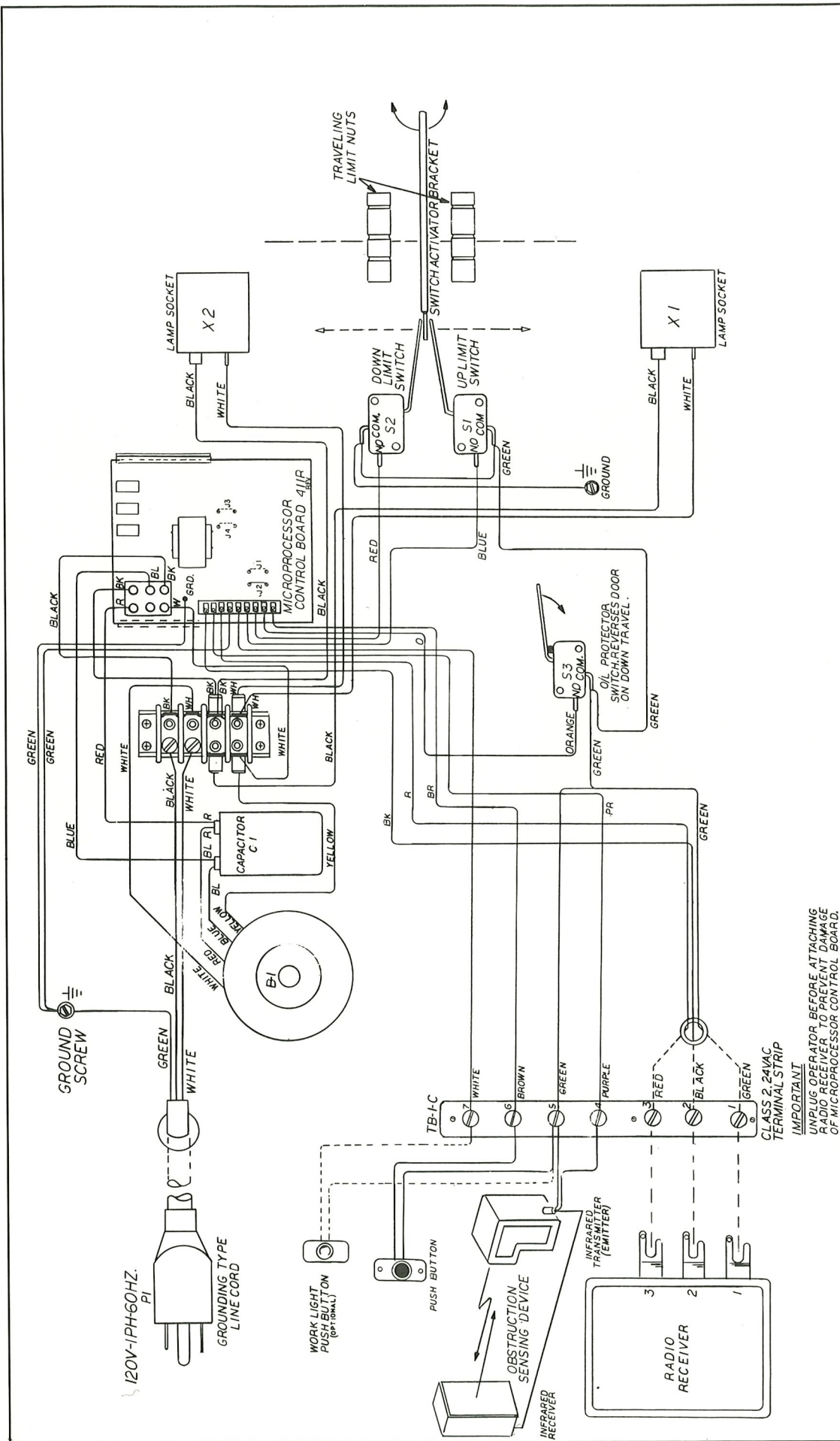
PARTS-LIST

REF NO	9000 QTY	9060 QTY	DESCRIPTION
A	1	1	POWER HEAD
B-1	1	1	TRACK, TEE 7'9"
*B2	1	1	TRACK, TEE 9'3"
*B3	2	2	TRACK, TEE 10'3"
C	1	1	LINK, CONN #65
D	1	1	CHAIN TIGHTENER ASSY
E	1	1	CARRIAGE 9000
F	1	1	CARRIAGE 9060
G-1	1	1	HITCH PIN
(R)	1	1	CLEVIS PIN 5/16 X 1 1/4
(S)	1	1	ROLLER CHAIN #65 188 1/2" LONG
G-2	1	1	ROLLER CHAIN #65 224 1/2" LONG
*G-3	1	1	ROLLER CHAIN #65 248 1/2" LONG
(T)	1	1	IDLER SPROCKET 65B9 X 1/2 I.D.
H	1	1	FRONT IDLER ASSY
(U)	1	1	CLEVIS PIN 5/16 X 2 3/4 LONG
(V)	1	1	HITCH PIN
W	1	1	WALL BRACKET
X	1	1	CURVE DOOR ARM
Y	1	1	STRAIGHT DOOR ARM 14 3/8" LONG
Z	1	1	STRAIGHT DOOR ARM 23-3/8" LONG
AA	1	1	CORD NYLON PULL
AB	1	1	KNOB LANYARD 3-GROVE
AC	1	1	DOOR BRACKET 9000
AD	1	1	DOOR BRACKET 9060 CAST IRON
AE	1	1	STOP LATCH
AF	1	1	CHAIN TIGHTENER 9060

* 7' DOOR
 ** 8' DOOR

TOLERANCES (EXCEPT AS NOTED)		REVISIONS		LYNX USA, PATERSON, N.J.	
NO.	DATE	BY	NO.	DATE	BY
1			1		
2			2		
3			3		
4			4		
5			5		

TRACK AND CARRIAGE ASSEMBLY MODELS 9000 - 9060
 DRAWN BY: M.G. SCALE: NONE
 CHECKED BY: M.G. DATE: 8-17-88 MATERIAL:
 TRACED BY: M.G. APP'D: [Signature] DRAWING NO.: 700011



IMPORTANT
 UNPLUG OPERATOR BEFORE ATTACHING
 RADIO RECEIVER TO PREVENT DAMAGE
 OF MICROPROCESSOR CONTROL BOARD.

REVISIONS		DATE	BY
1	INITIAL		
2			
3			
4			

MODEL 9000PC 120V/1PH/60HZ.
 SERIAL # 12345
 PART # 12345
 DRAWING # 12345
 SCALE 1:1
 SHEET 1 OF 1
 700079