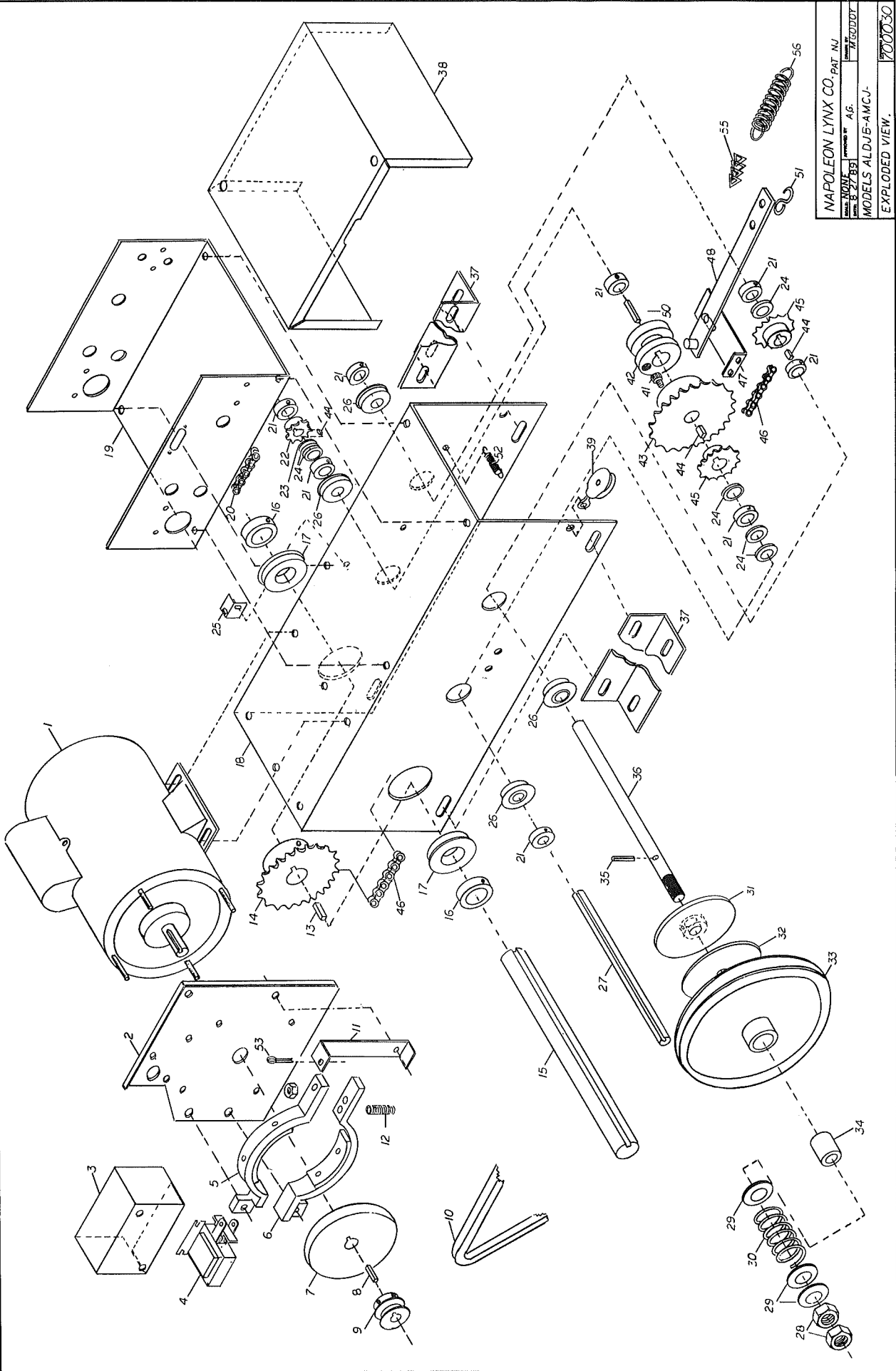


ALDJ/B AMCJ AHGO

FRAME ASSEMBLY

DRAWING #700030



NAPOLEON LYNX CO. PAT. IN U.S.
 MODEL 8 27 85
 MODELS ALDJB-AMCJ-
 EXPLODED VIEW. 700030

NAPOLEON / LYNX
PARTS LIST DRAWING #700030 FRAME ASSEMBLY
MODEL ALDJ/B - AMCJ - AHGO

4/1/99

REF #	DESCRIPTION	POWER HEAD ASSEMBLY	QTY.	LIST PRICE
1	MTR #324P220	1/2 HP 115V 1500 R.P.M. FR 48Y (ALDJ/B)	1	
1A	MTR #C48C22A72	1/2 HP 115/220V 1PH CAP START (ATC3)	1	
1B	MTR #C56A87A72	1/2 HP 115V 1PH (I R) A-O SMITH	1	
1C	MTR #102361	1/2 HP 115V 1PH (I R) LEESON (AMRAT)	1	
1D	MTR #327P673	3/4 HP 115/230V IPH CAP START	1	
1E	MTR #P56A40A72P	1/2 HP 208/220/440V 3PH, (OLD#327P676)	1	
1G	MTR #P56A42A72	3/4 HP 208/220/440V 3PH, (OLD #327P678)	1	
2	BRAKE PLATE		1	
3	BRAKE COVER		1	
4	BRAKE SOLENOID, 115V		1	
4A	BRAKE SOLENOID, 220V (AMCJ/AGHO)		1	
5	BRAKE SHOE, WITH LINING (TOP)		1	
6	BRAKE SHOE, WITH LINING (BOTTOM)		1	
7	BRAKE DRUM, 4"OD X 5/8"BORE, 3/16"KW 1 S.S. (AMCJ/AGHO)		1	
7A	BRAKE DRUM, 4"OD X 1/2"BORE, 3/16"KW 1 S.S. (ALDJB ONLY)		1	
8	KEY STOCK, 3/16"SQ. X 1 1/2"LG (AMCJ/AHGO)		1	
9	MOTOR PULLEY, 4L 1 1/2" O.D. X 1/2" BORE 3/16" KW 1 S.S.(ALDJB ONLY)		1	
9A	MOTOR PULLEY, 4L 1 1/2" O.D. X 5/8" BORE 3/16" KW 2 S.S.		1	
9B	MOTOR PULLEY, 4L 2" O.D. X 5/8" BORE 3/16" KW 2 S.S. (AMCJ ONLY)		1	
10	V BELT 4L-400		1	
11	BRAKE RELEASE LEVER		1	
12	BRAKE SPRING, 1/4" X 2 1/2"LG		1	
13	KEY STOCK, 1/4"SQ. X 1"LG		1	
14	SPROCKET, DRIVE 41B21 X 1" BORE, 1/4"KW 2 S.S. (AMCJ/AHGO)		1	
14A	SPROCKET, DRIVE 48B21 X 1" BORE, 1/4"KW 2 S.S. (ALDJB ONLY)		1	
15	DRIVE SHAFT, 1"OD X 14"LG 1/4"KW		1	
16	SHAFT COLLAR, STEEL 1" I.D.		2	
17	FLANGED BALL BEARING, 2"OD X 1"ID		2	
18	CHASSIS		1	
19	ELECTRICAL BOX		1	
20	ROLLER CHAIN, #65 X 15"LG (LIMIT CHAIN)		1	
21	SHAFT COLLAR, STEEL 5/8" I.D.		8	
22	SPROCKET, 48B9 X 5/8" BORE 3/16"KW (STEEL)		1	
23	WASHER SPACER, 3/4"OD X 5/8"ID X 1/16THK		1	
24	WASHER SPACER, 1"OD X 5/8"ID X 1/8THK		6	
25	ADJUSTING PLATE, 2" X 1" X 2"		1	
26	FLANGED BALL BEARING, 1 3/8"OD X 5/8"ID		4	
27	CENTER SHAFT, 5/8"OD X 10 1/2"LG 3/16"KW		1	
28	HEX JAM NUT, 5/8-18		2	
29	FLAT WASHER 5/8" SAE		3	
30	CLUTCH SPRING C-192		1	
31	CLUTCH HUB (STEEL) 4 X 5/8 BORE		1	
32	FIBER CLUTCH DISC 4 X 5/8 BORE		1	
33	DRIVE PULLEY 4L 8"OD X 7/8" BORE		1	
34	SLEEVE BRONZE BEARING 7/8 O.D. X 5/8 I.D. X 7/8		1	
35	ROLL PIN 1/4 X 1 1/2" LONG		1	
36	CLUTCH SHAFT, 5/8" BORE X 12 1/2" LONG 3/16 KW		1	
37	ANGLE, MOUNTING FEET 2" X 2" X 20"LG. (RIGHT / LEFT)		2	
38	ELECTRICAL BOX COVER		1	

